

SPECIFICATIONS:

MODEL NUMBER: 8000-812-280

PUMP DESIGN: Positive Displacement 3 Chamber Diaphragm Pump

CHECK VALVE: (2-Way Op.) Prevents Reverse Flow & 6 Ft. Head Forward Flow

CAM: 2.5 Degree

MOTOR: Permanent Magnet, P/N 11-150-10, Thermally Protected

VOLTAGE: 115 VAC Nominal

PRESSURE SWITCH: None

LIQUID TEMPERATURE: 180 Degrees Fahrenheit (82 Degrees Centigrade) Max.

PRIME: Self-Priming Up To 11 Ft. Vertical,
Max. Inlet Pressure 30 PSI (2.1 Bar)

PORTS: 3/8"-18 NPT, Female

MATERIAL OF CONSTRUCTION:

PLASTICS- Nylon

VALVES- Viton

DIAPHRAGM- Viton (Switch), Santoprene (Main)

FASTENERS- Zinc Plated Steel

NET WEIGHT: 4.9 Lbs (2.2 Kg)

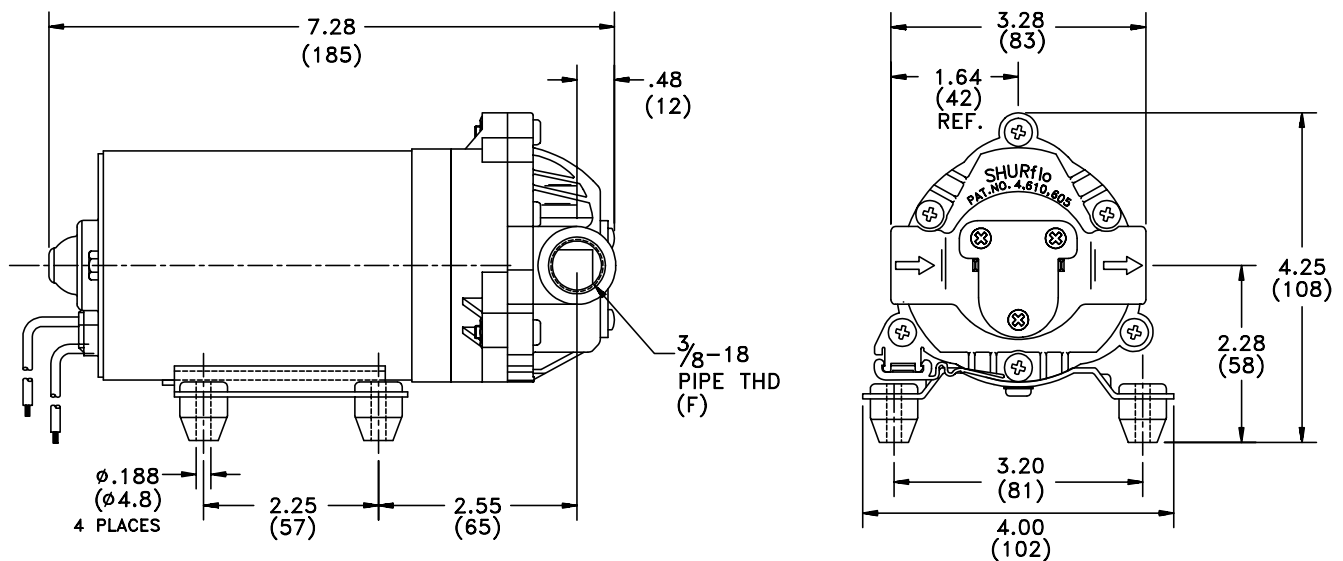
DUTY CYCLE: Intermittent (See Temperature Rise Chart)

APPROVALS: UL/CSA Recognized

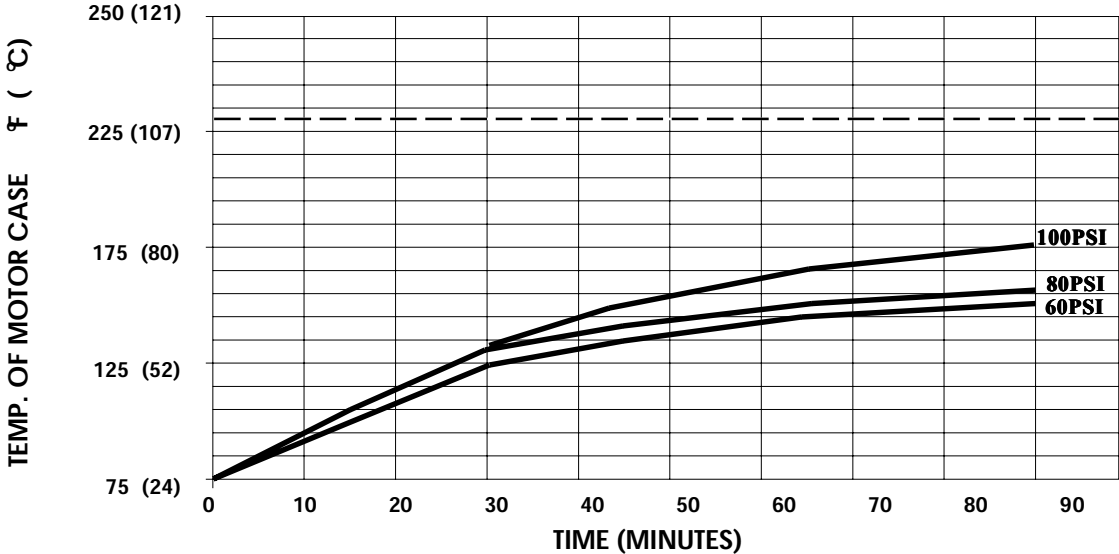
TYPICAL APPLICATIONS: Soil Extraction

BYPASS: 80 PSI

DIMENSIONS:



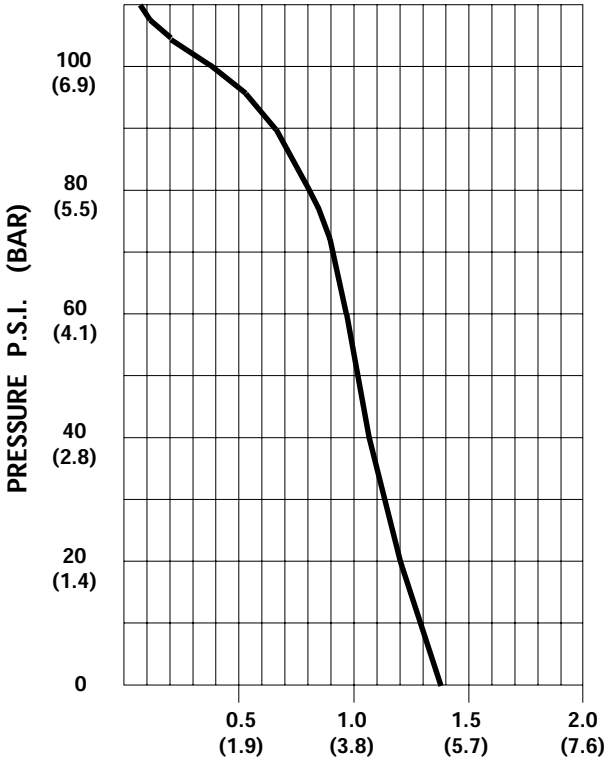
TEMPERATURE RISE



THIS GRAPH IS FOR USE AS A DESIGN GUIDE. IT IS BASED ON RUNNING CONTINUOUSLY WITH AN AMBIENT TEMPERATURE OF 70°F IN STILL AIR. THE THERMAL BREAKER WILL OPEN WHEN THE CASE TEMPERATURE REACHES 230° F.

[- - - - - TRIP POINT OF THERMAL PROTECTOR]

TYPICAL PERFORMANCE



PRESSURE (PSI)	FLOW (GPM/LIT)	RPM MIN/MAX	CURRENT (AMPS)	VOLTAGE (VOLTS)
OPEN	1.38/5.2	2298/2368	0.33	115 VAC
10	1.28/4.8	2194/2265	0.37	"
20	1.21/4.6	2114/2186	0.42	"
30	1.13/4.3	2046/2128	0.47	"
40	1.07/4.0	1979/2060	0.52	"
50	1.00/3.8	1923/2003	0.56	"
60	0.97/3.7	1870/1943	0.61	"
70	0.91/3.4	1820/1891	0.65	"
80	0.81/3.1	1770/1850	0.69	"
90	0.67/2.5	1716/1800	0.74	"
100	0.38/1.4	1668/1757	0.77	"

*-SPECIFICATIONS SUBJECT TO CHANGE WITHOUT NOTICE.
-ALL DATA BASED ON TESTING WITH WATER AT AMBIENT TEMPERATURE.*