

# DM1800T 18" Dual Motor Upright Vacuum

Item #E85807-00

## Operator's Manual Parts Schematic



*Chemicals*

*Equipment*

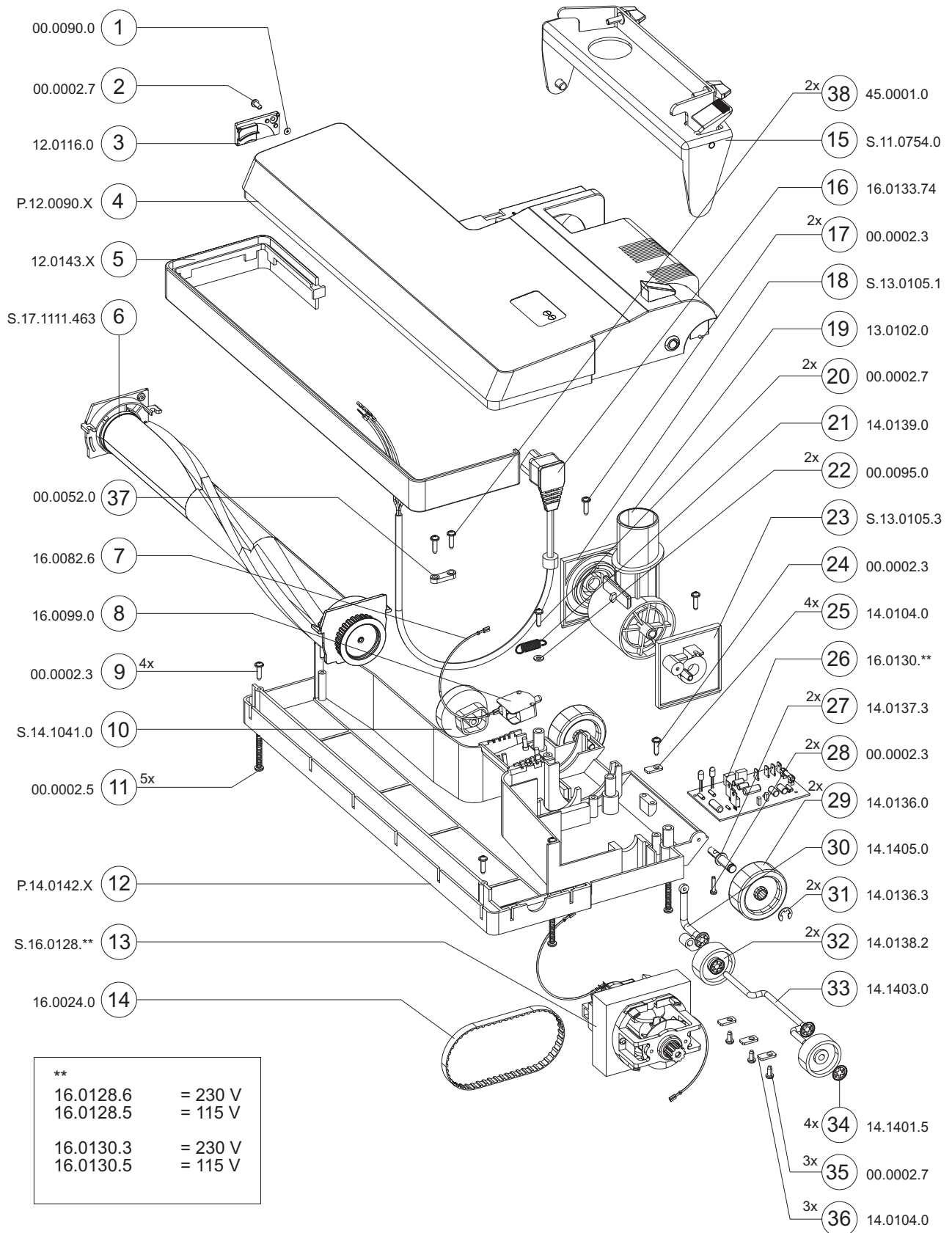
*Programs*

*Process*



# BETCO Drawing Reference A

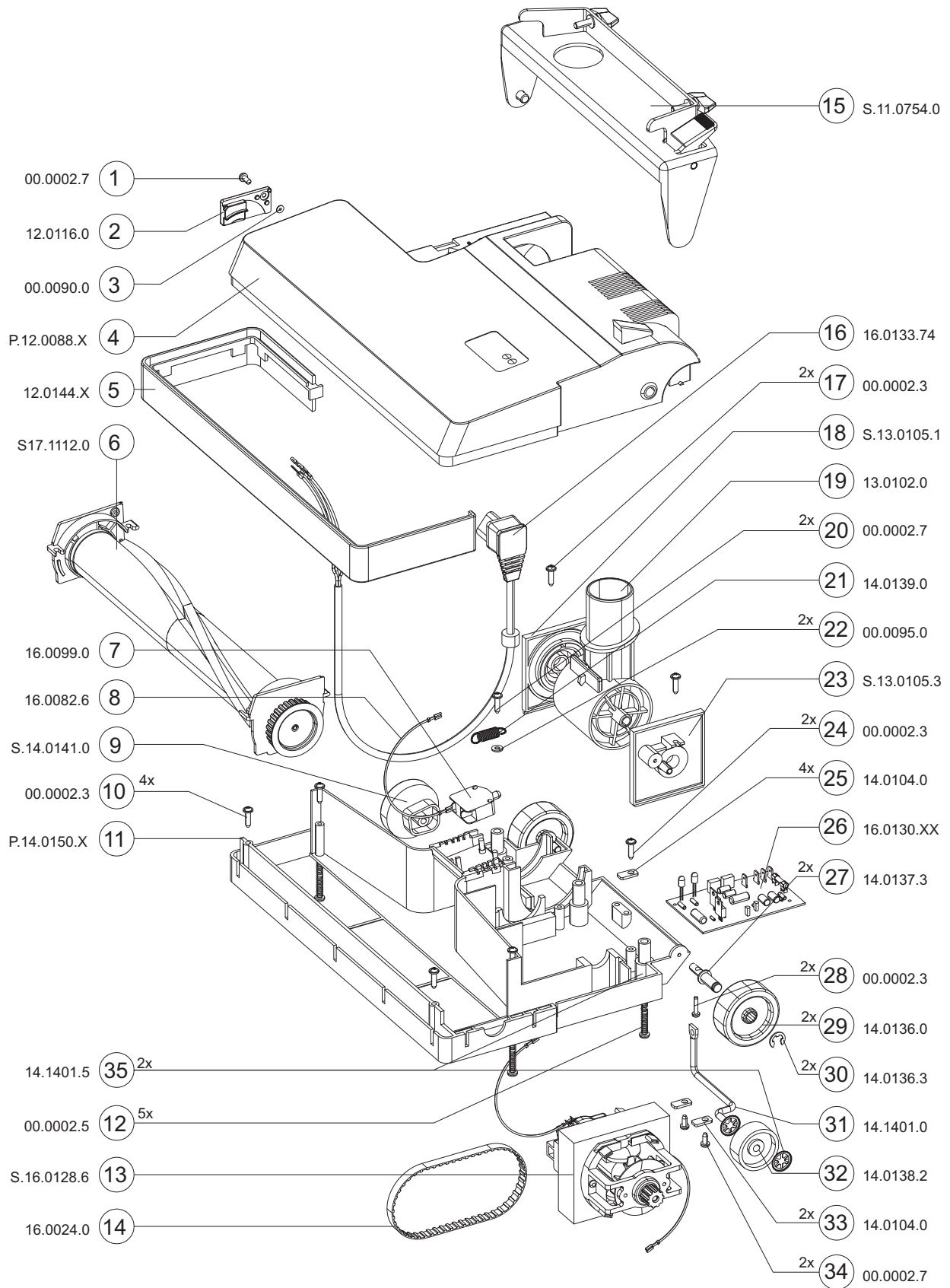
## Sub-assembly bottom compartment E85807-00



**	
16.0128.6	= 230 V
16.0128.5	= 115 V
16.0130.3	= 230 V
16.0130.5	= 115 V

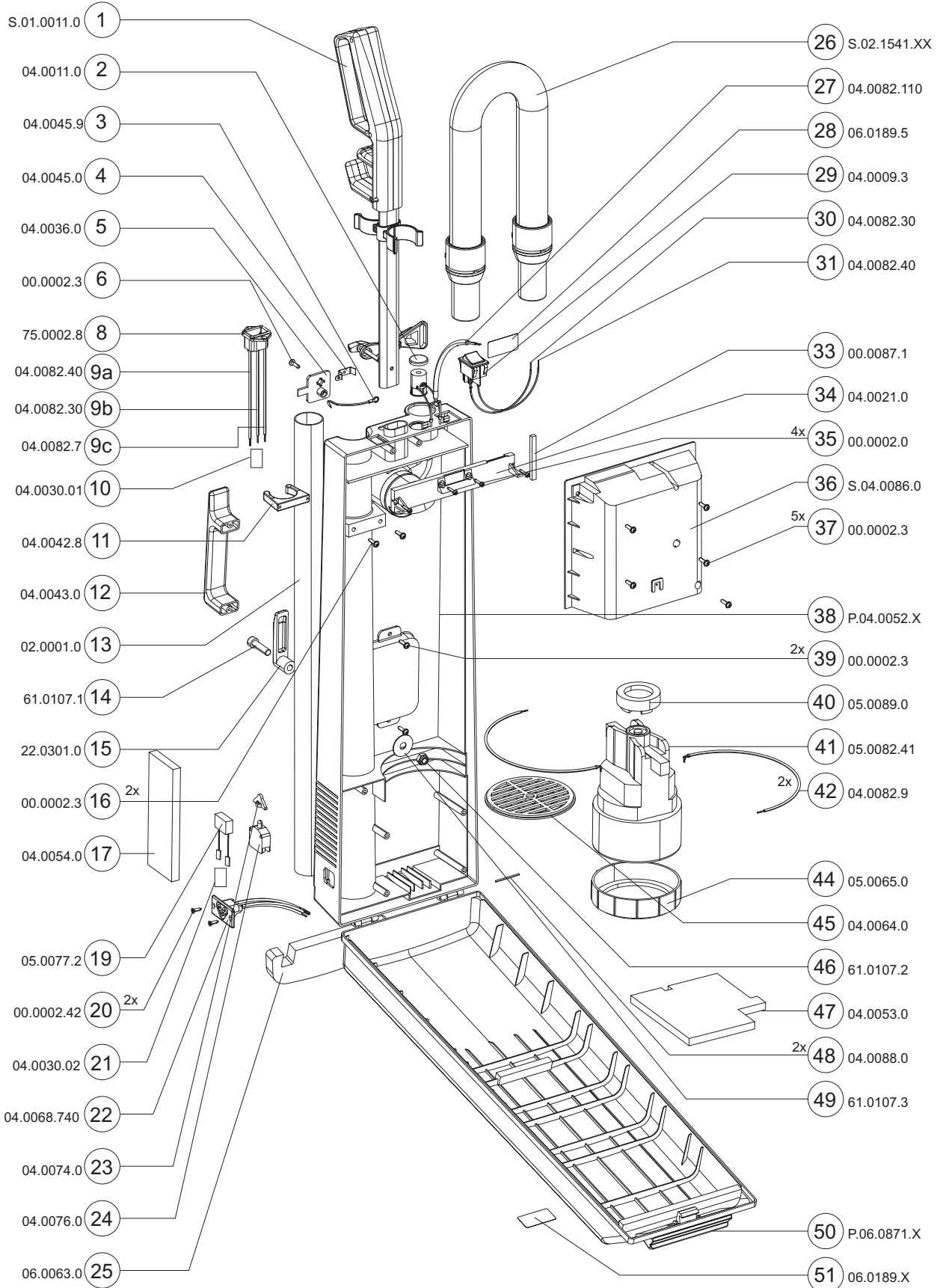
# BETCO Drawing Reference B

## Sub-assembly bottom compartment E85806-00

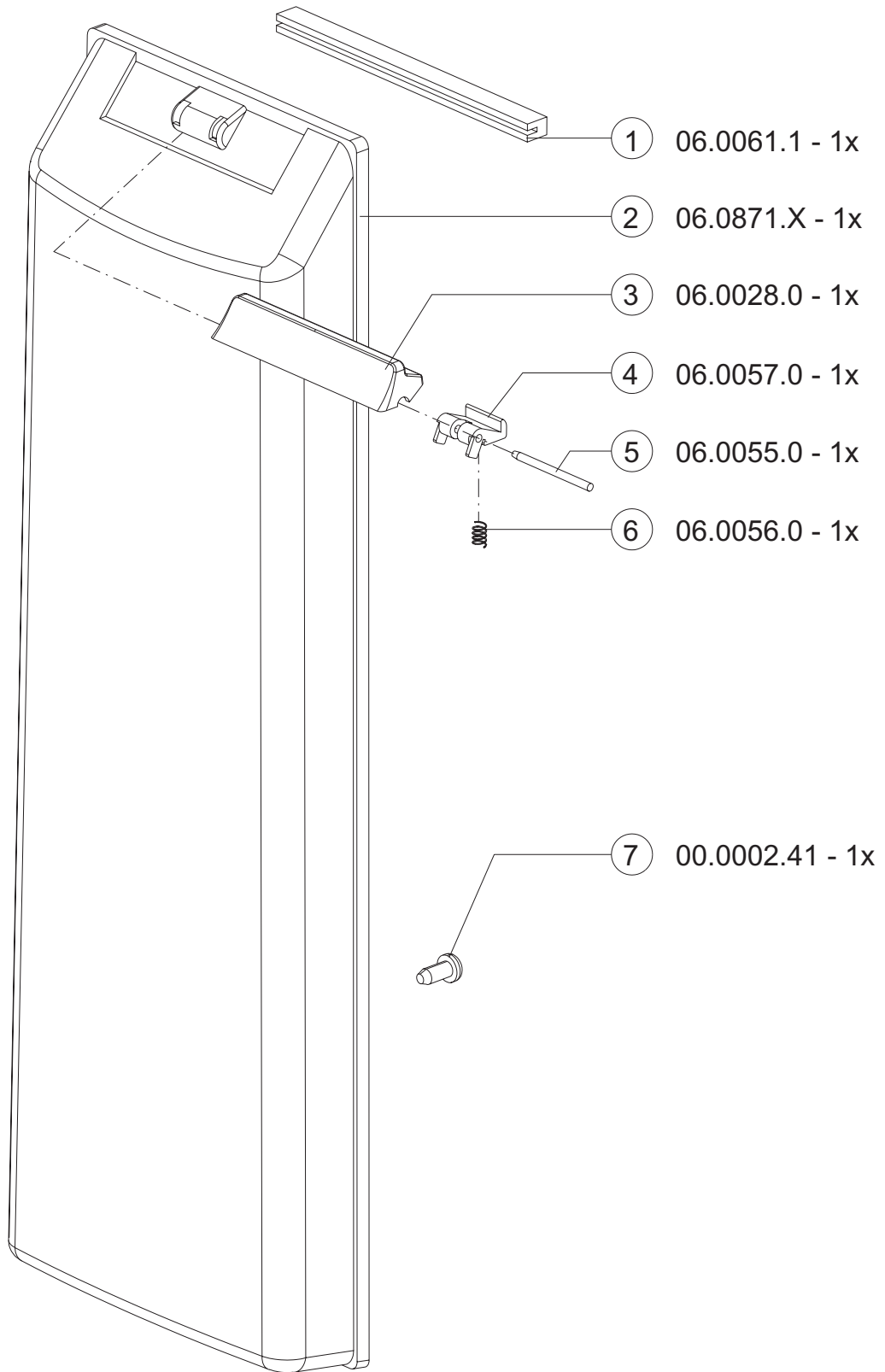


BETCO Drawing Reference C115  
 Sub-assembly top  
 compartment E85807&E85806

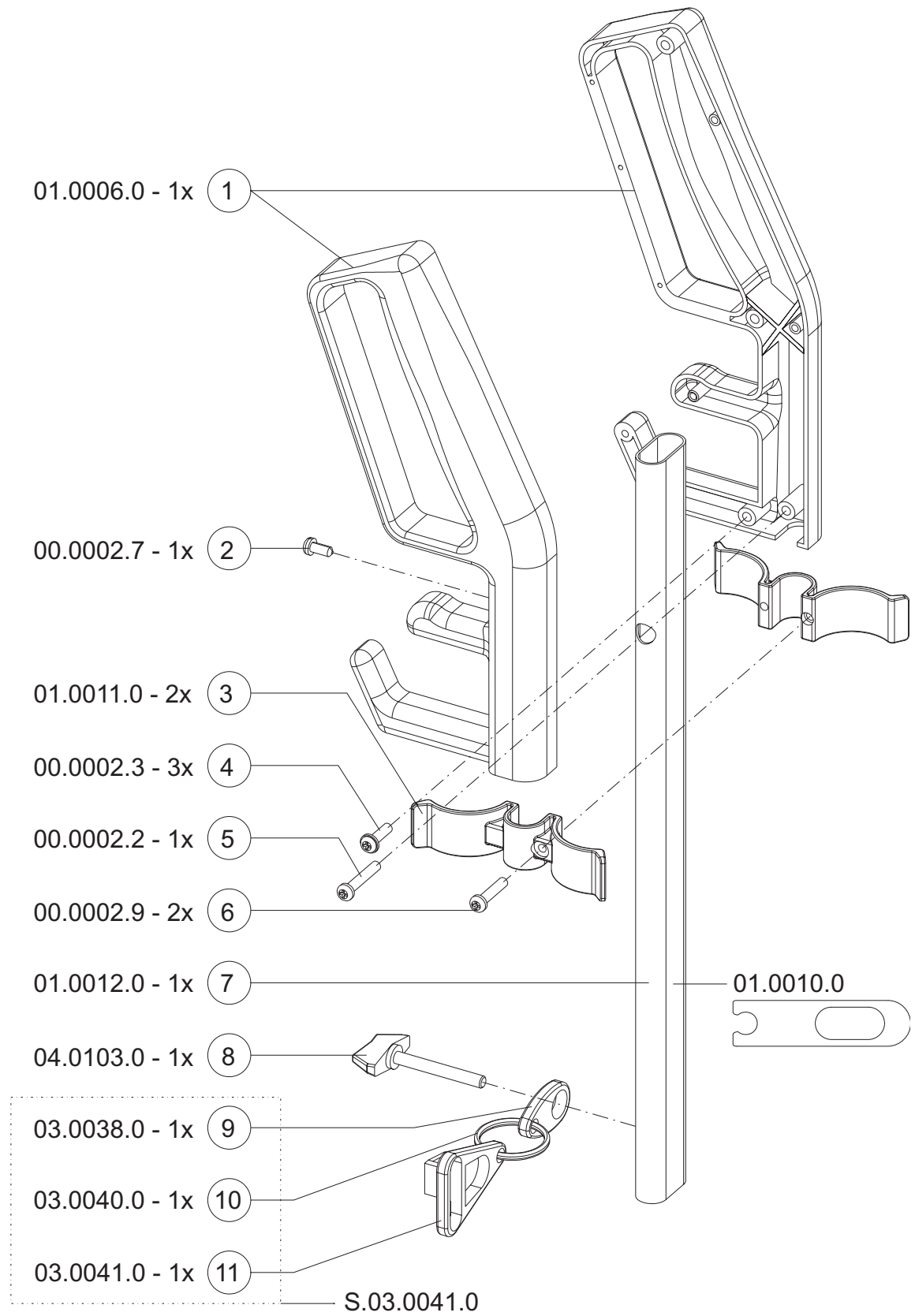
115Volt



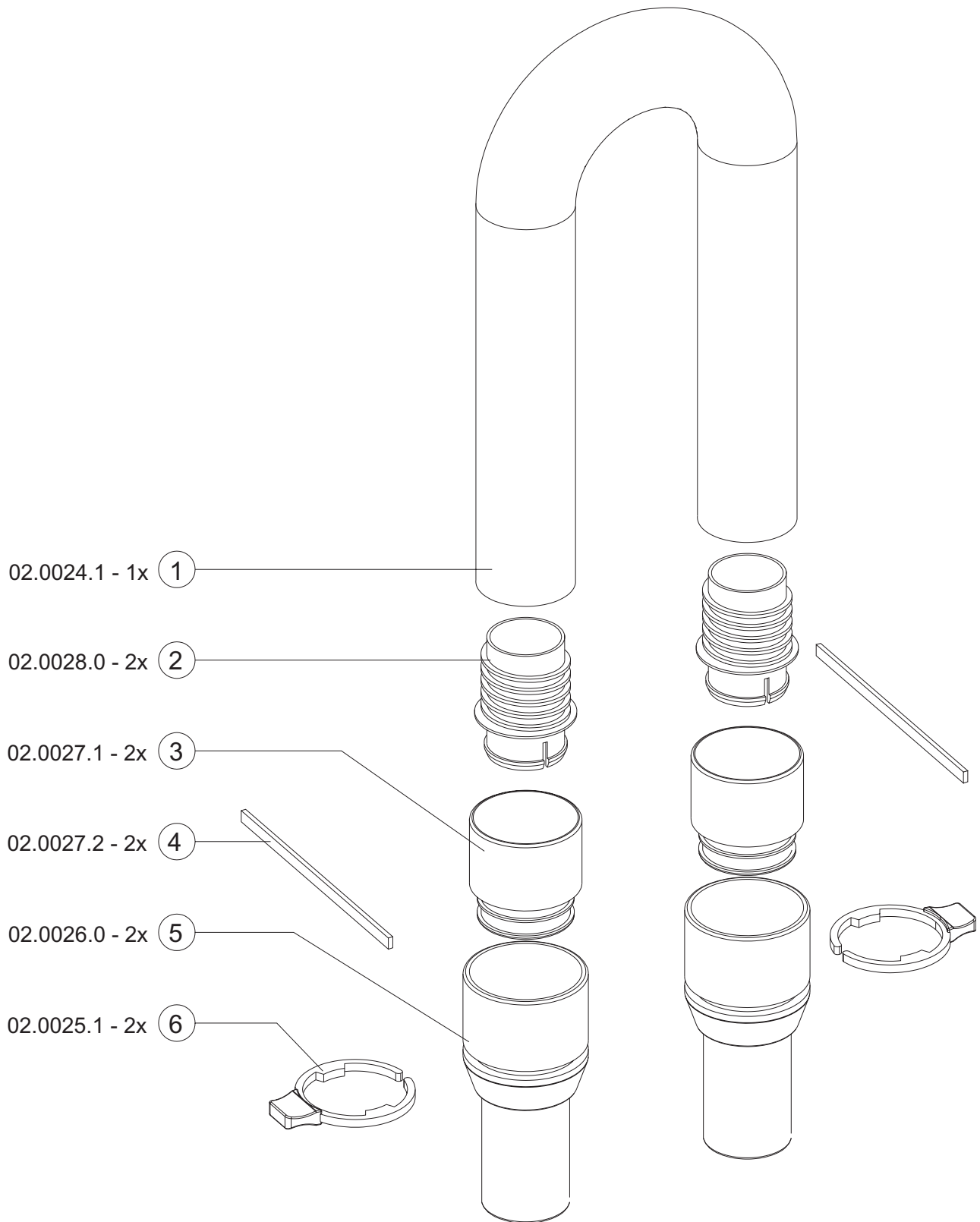
BETCO Drawing Reference E  
P.06.0871.X  
Front door assembly E85807&E85806



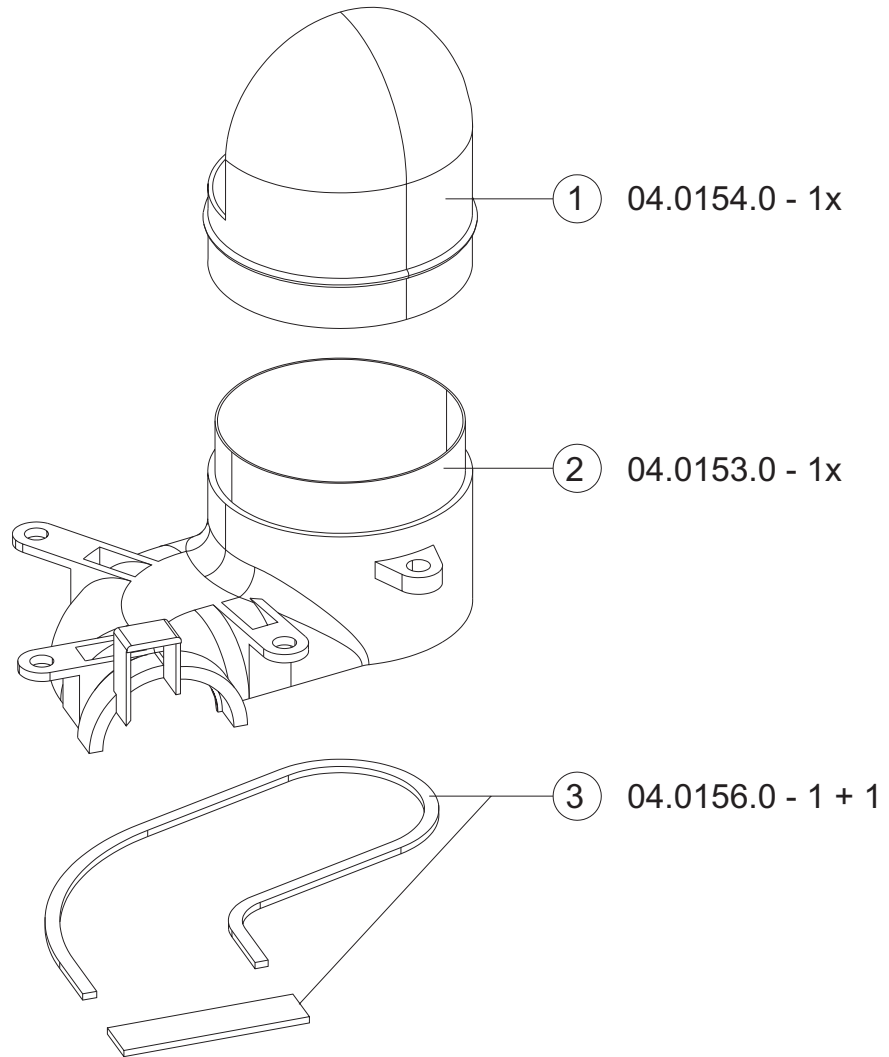
BETCO Drawing Reference F  
 S.01.0011.0  
 Handle assembly E85807&E85806



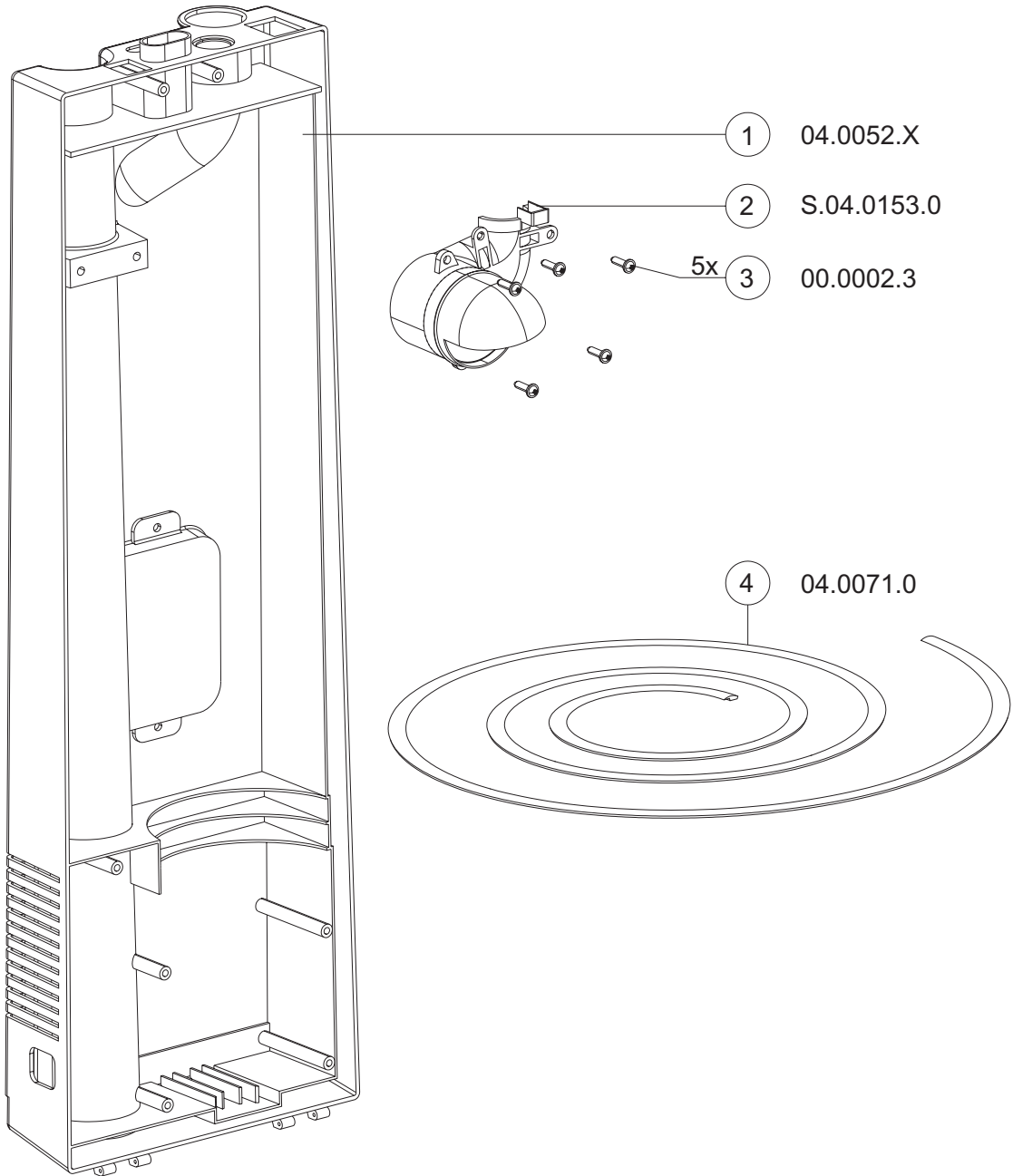
Drawing Reference G  
S.02.1541.1  
Hose assembly with cuffs - 50 cm - UP 350/460



BETCO Drawing Reference I  
S.04.0153.0  
Paper bag mount assembly E85807&E85806

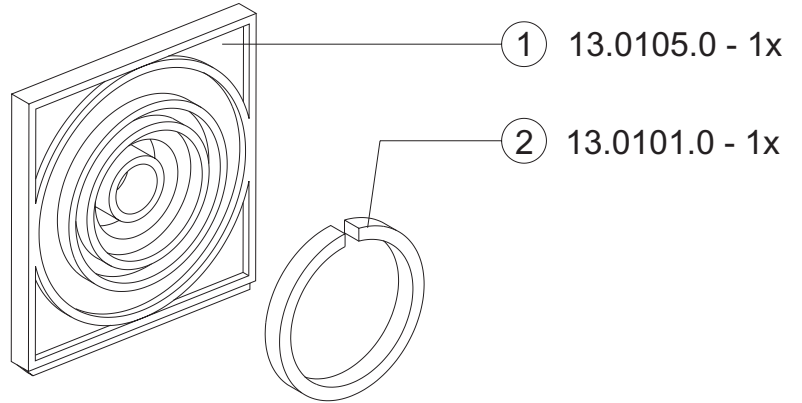


Drawing Reference J  
P.04.0052.X



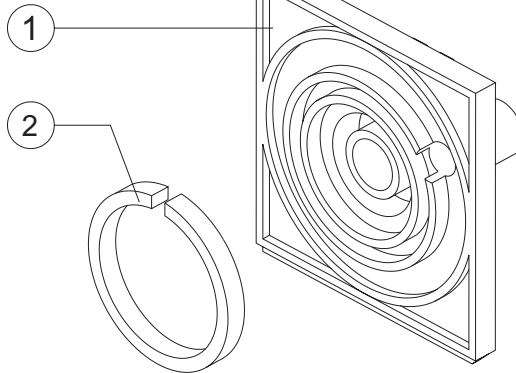
Drawing Reference L - 32 mm  
FAST Specification

**S.13.0105.1**  
Swivel guiding plate with felt UP 350/460

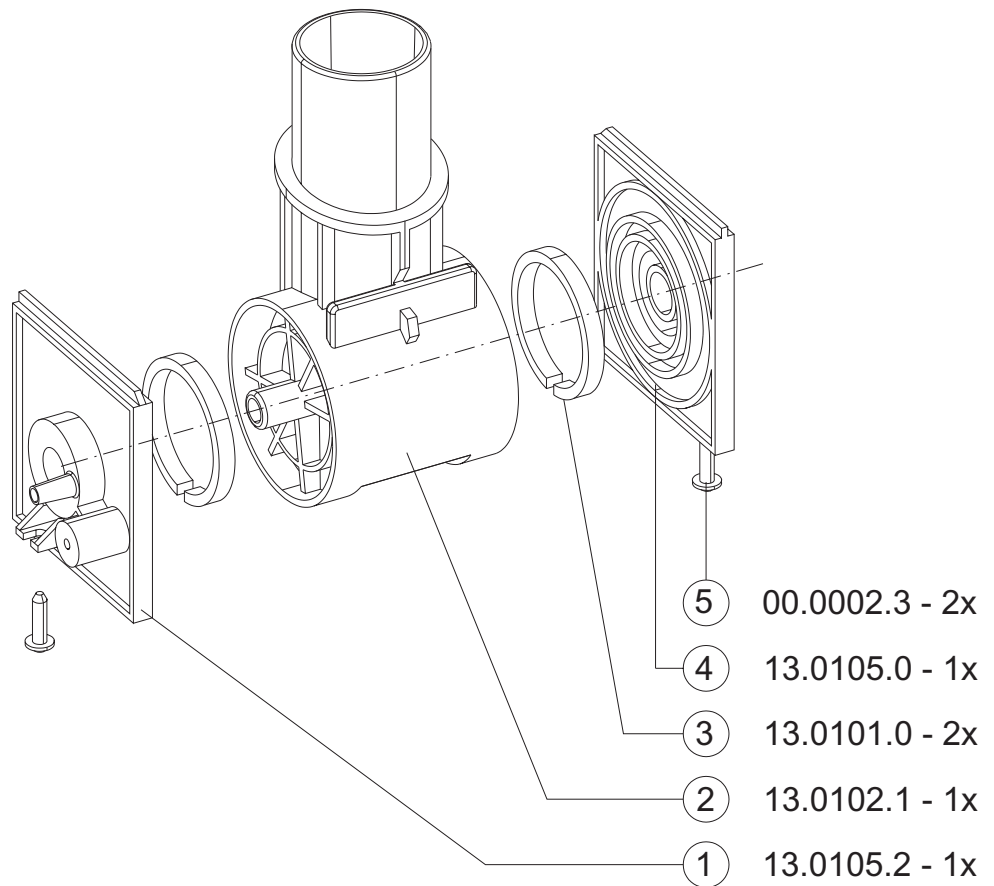


13.0105.2 - 1x

13.0101.0 - 1x

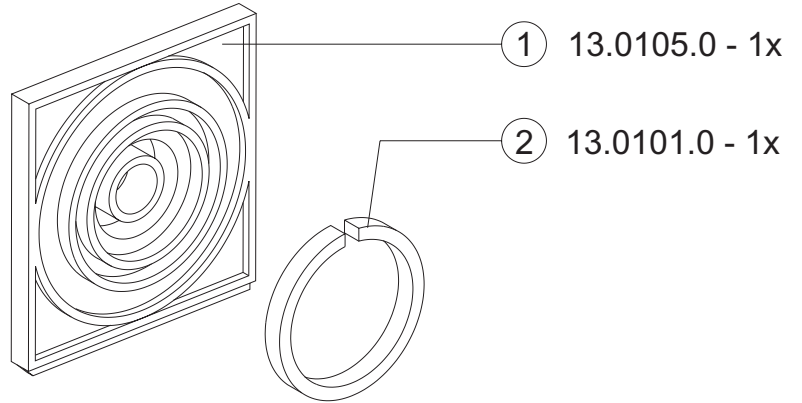


**S.13.0105.3**  
Swivel guiding plate with felt new UP 350/460



Drawing Reference L - 35 mm

**S.13.0105.1**  
Swivel guiding plate with felt UP 350/460

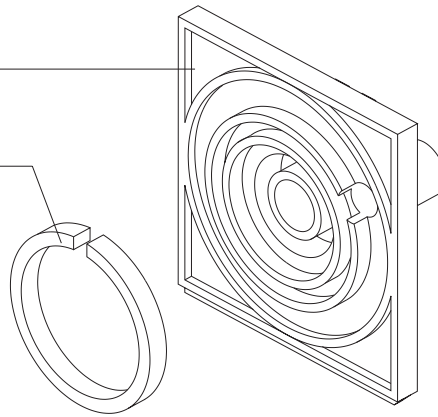


13.0105.2 - 1x

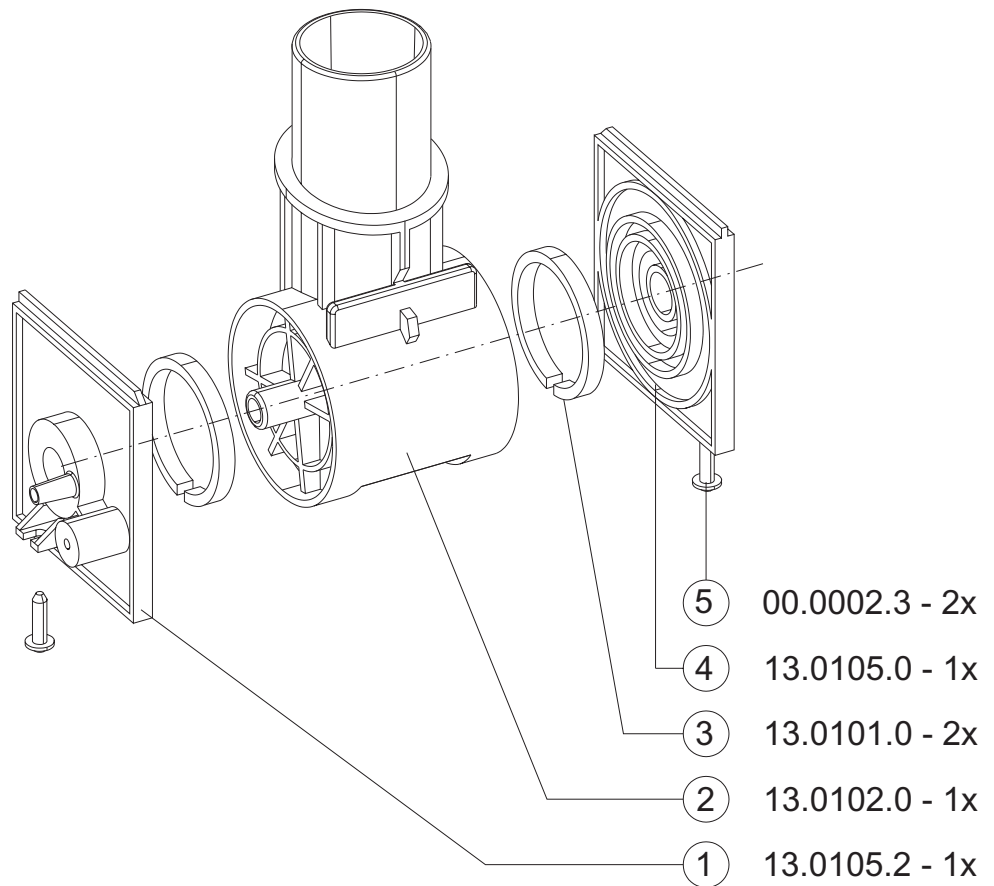
13.0101.0 - 1x

①

②



**S.13.0105.3**  
Swivel guiding plate with felt new UP 350/460



⑤ 00.0002.3 - 2x

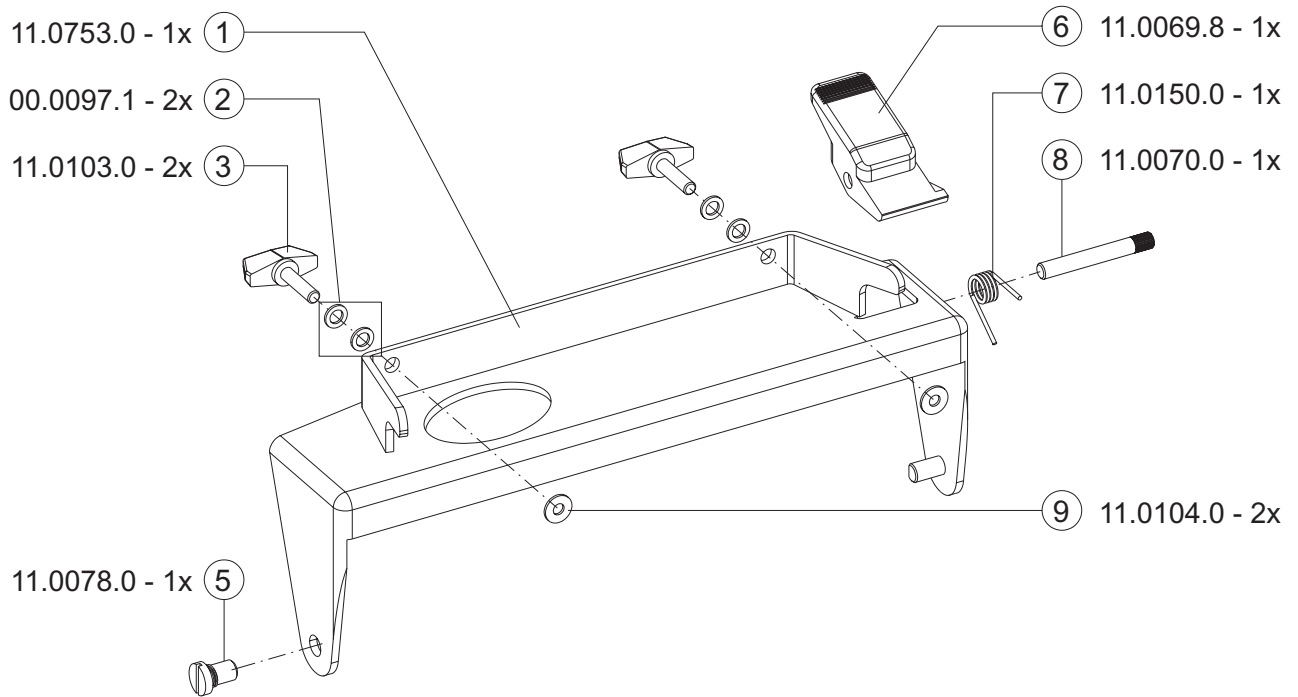
④ 13.0105.0 - 1x

③ 13.0101.0 - 2x

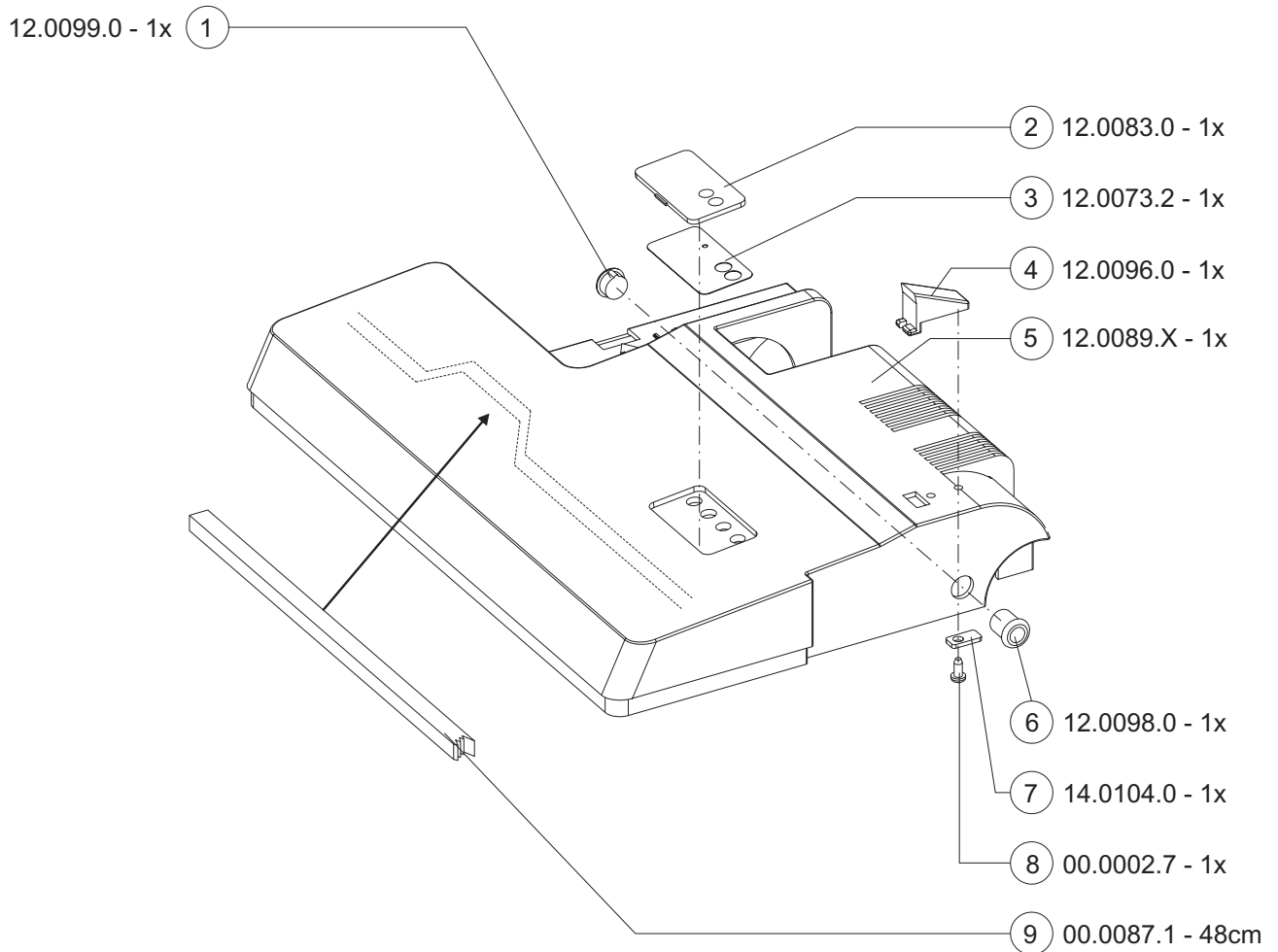
② 13.0102.0 - 1x

① 13.0105.2 - 1x

Drawing Reference M  
S.11.0754.0  
Bracket assembly

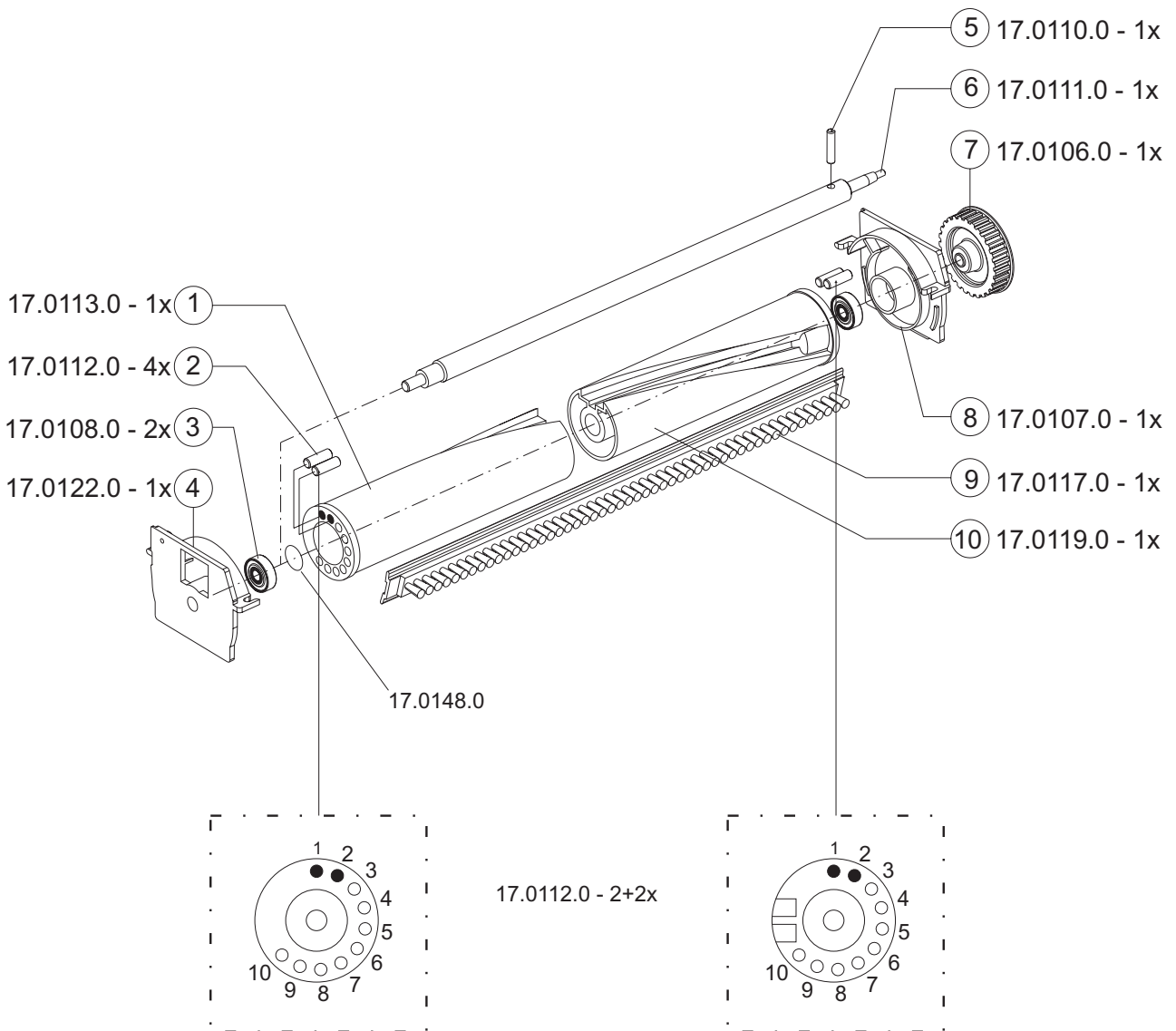


Drawing Reference N  
P.12.0088.X  
Brush cover assembly E85806  
Ref 4 on drawing B

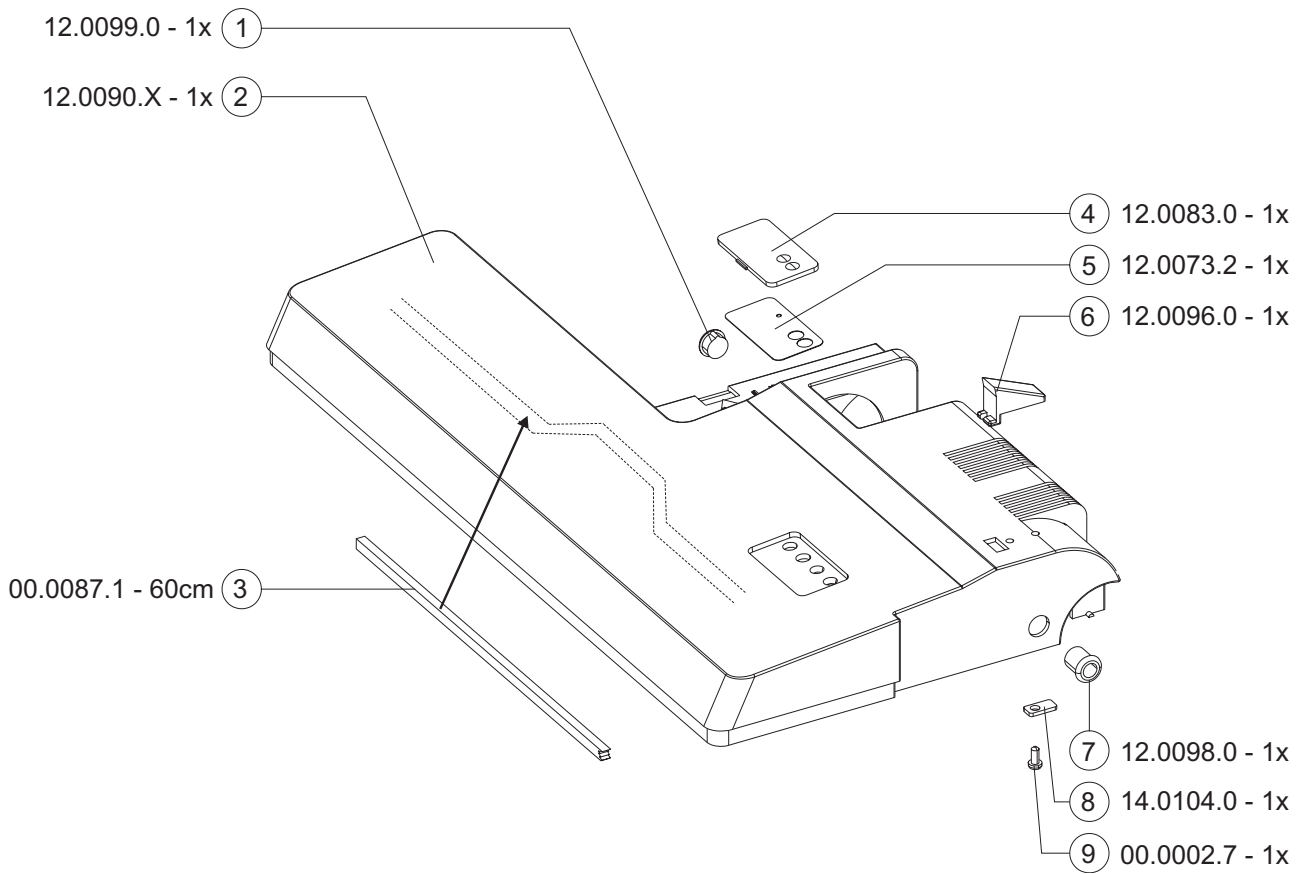




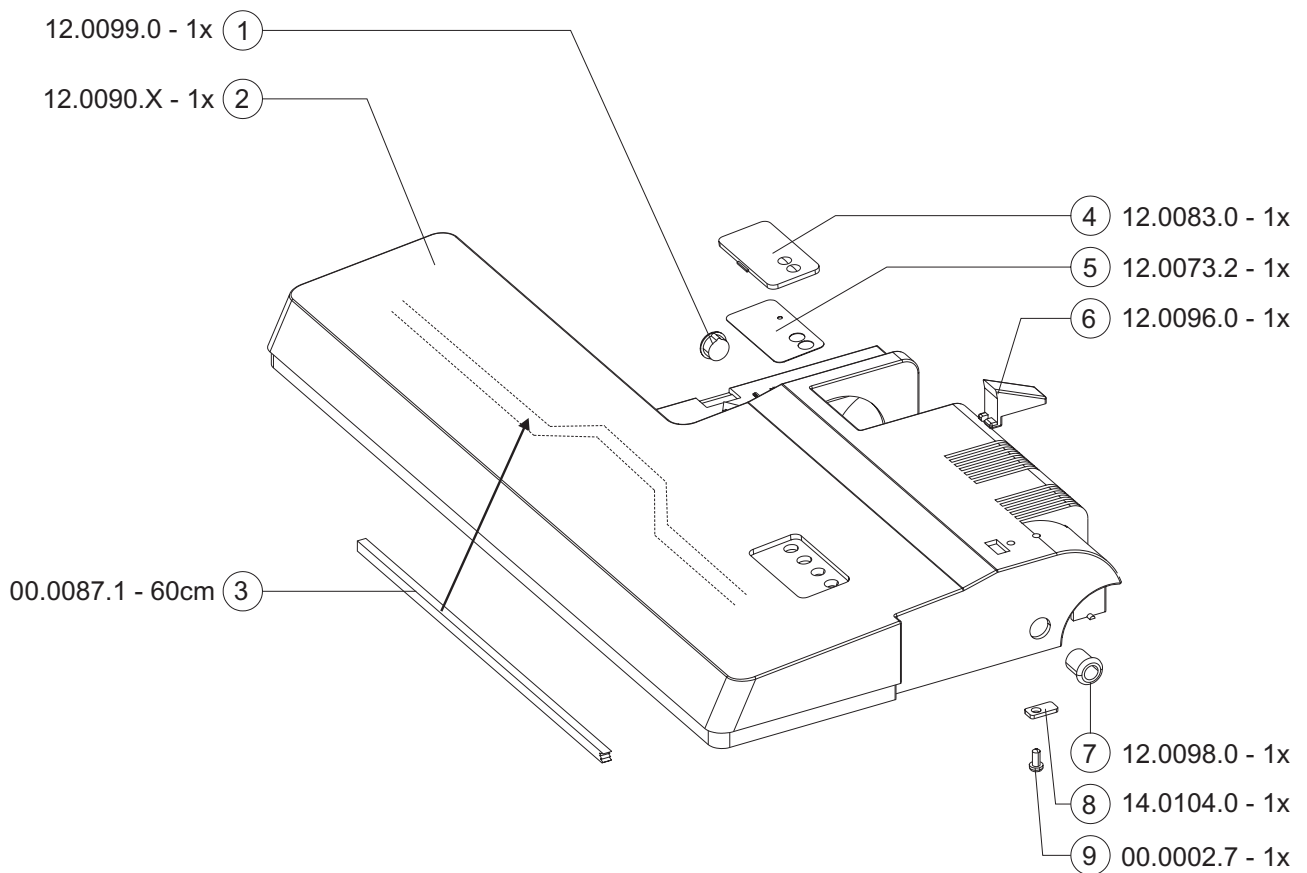
Drawing Reference P  
 S17.1112.0  
 Roller assembly with strip E85806  
 Ref 6 on drawing ref 6



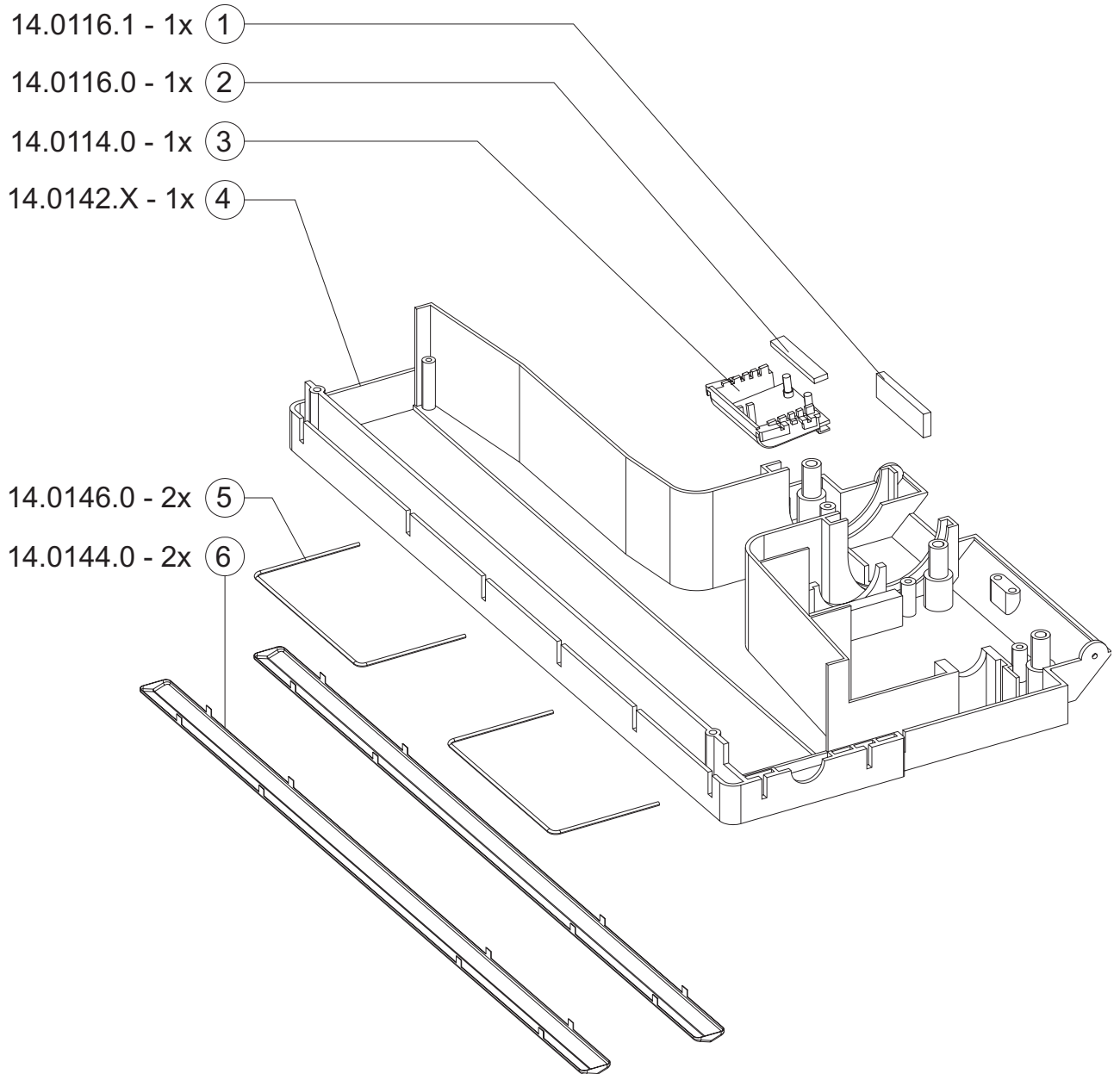
Drawing Reference Q  
P.12.0090.X  
Brush cover assembly E85807



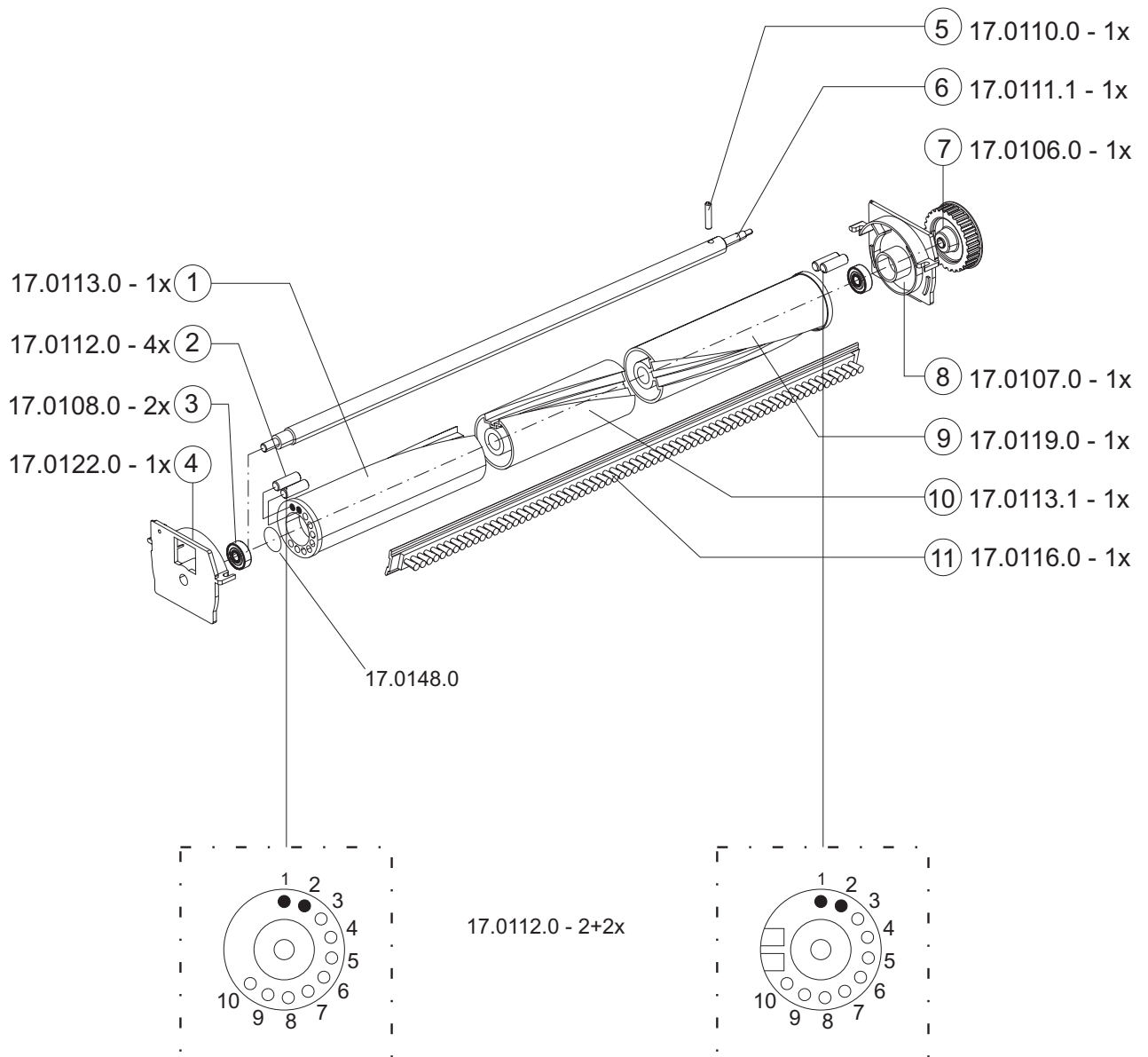
Drawing Reference Q  
P.12.0090.X  
Brush cover assembly E85807



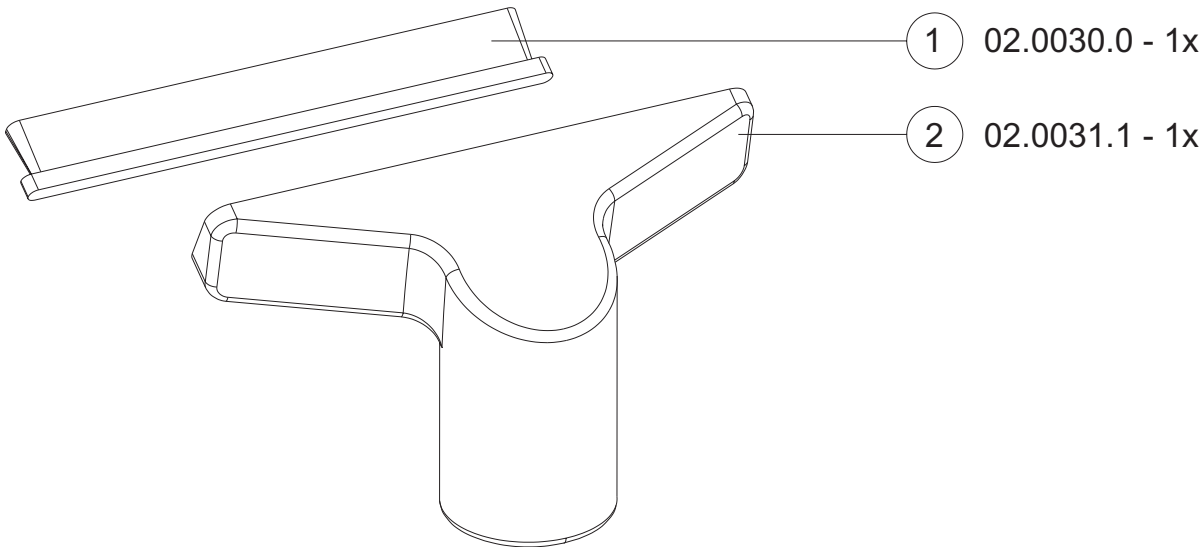
Drawing Reference R  
P.14.0142.X  
Brush housing assembly E85807



Drawing Reference S  
S17.1111.463  
Roller assembly with strip E85807

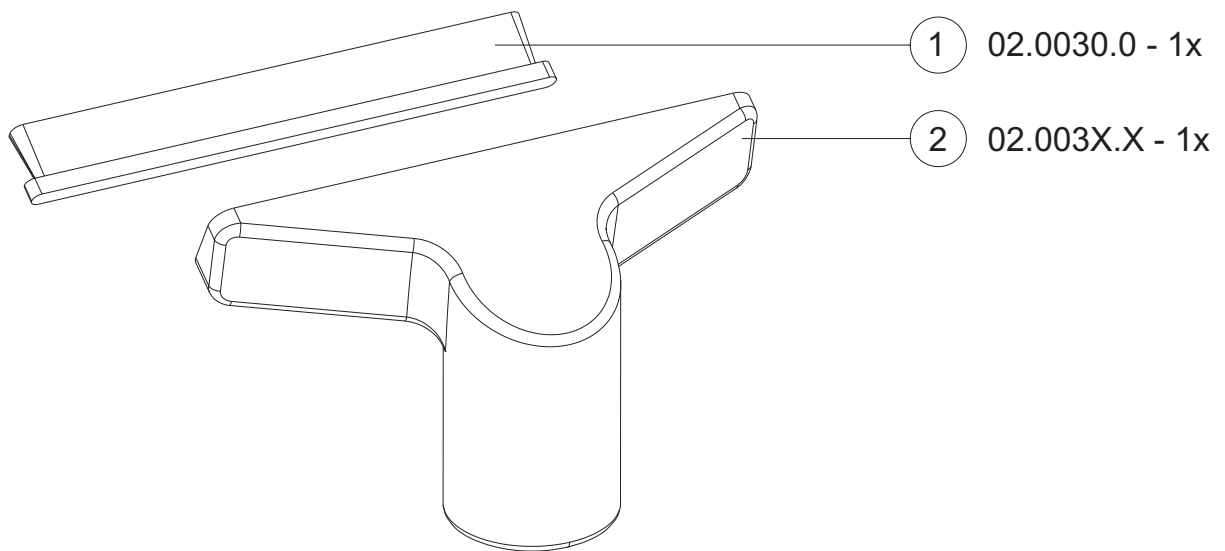


S.02.0031.0  
Upholstry tool with bristle 35 mm

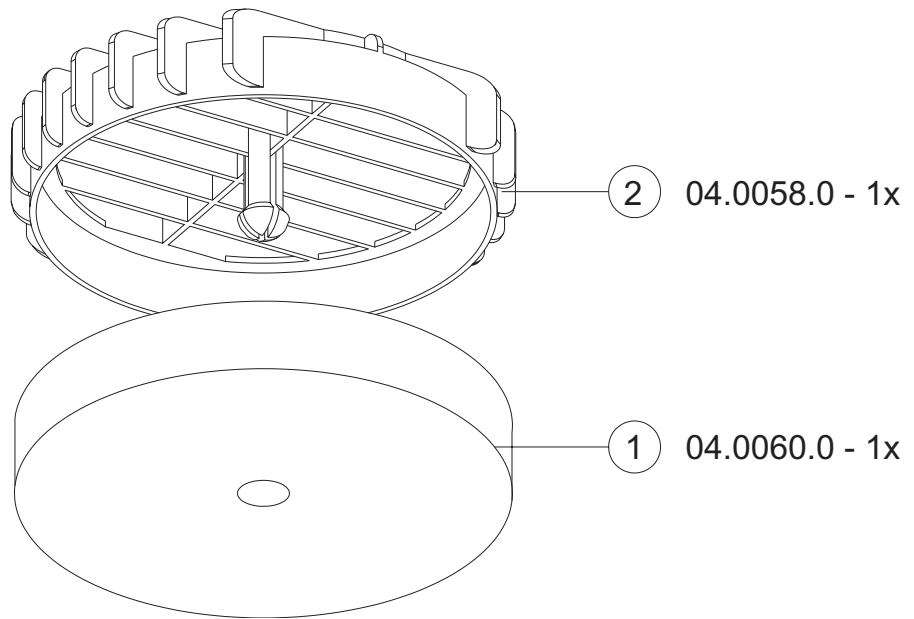


S.02.0031.5  
Upholstry tool with bristle 32 mm

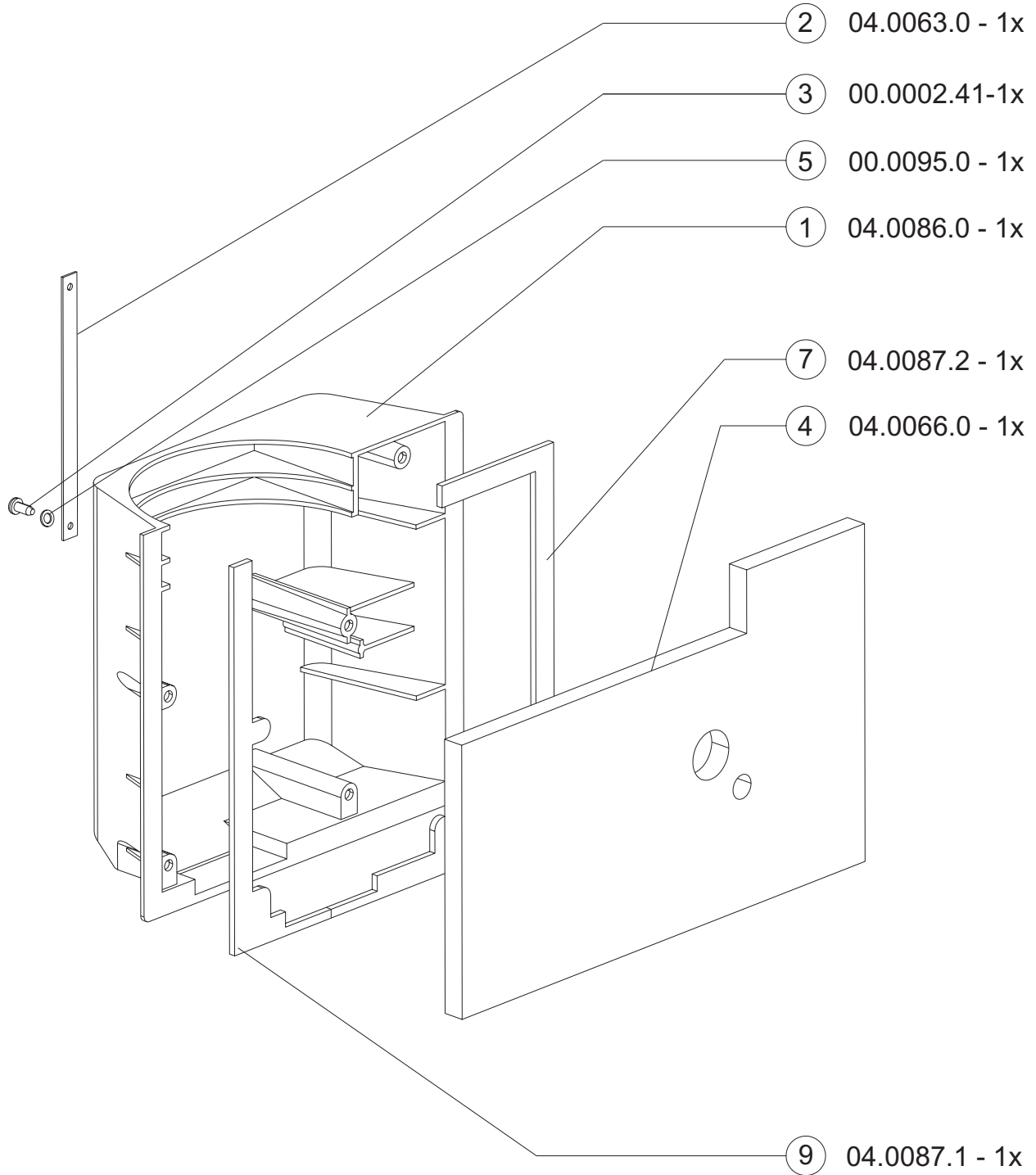
No tools for this at the moment.  
Purchase article 02.0031.5



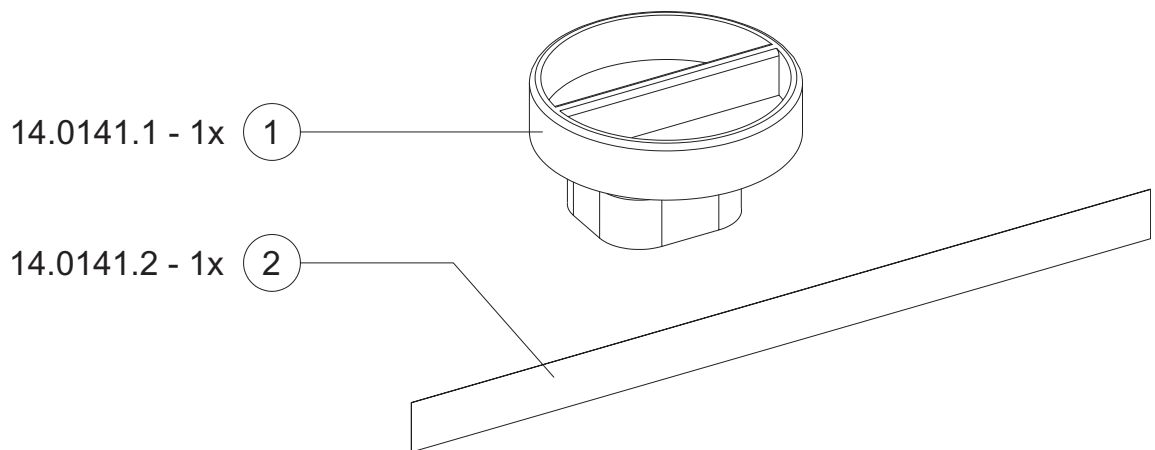
S.04.0058.0  
Dust filter holder assembly



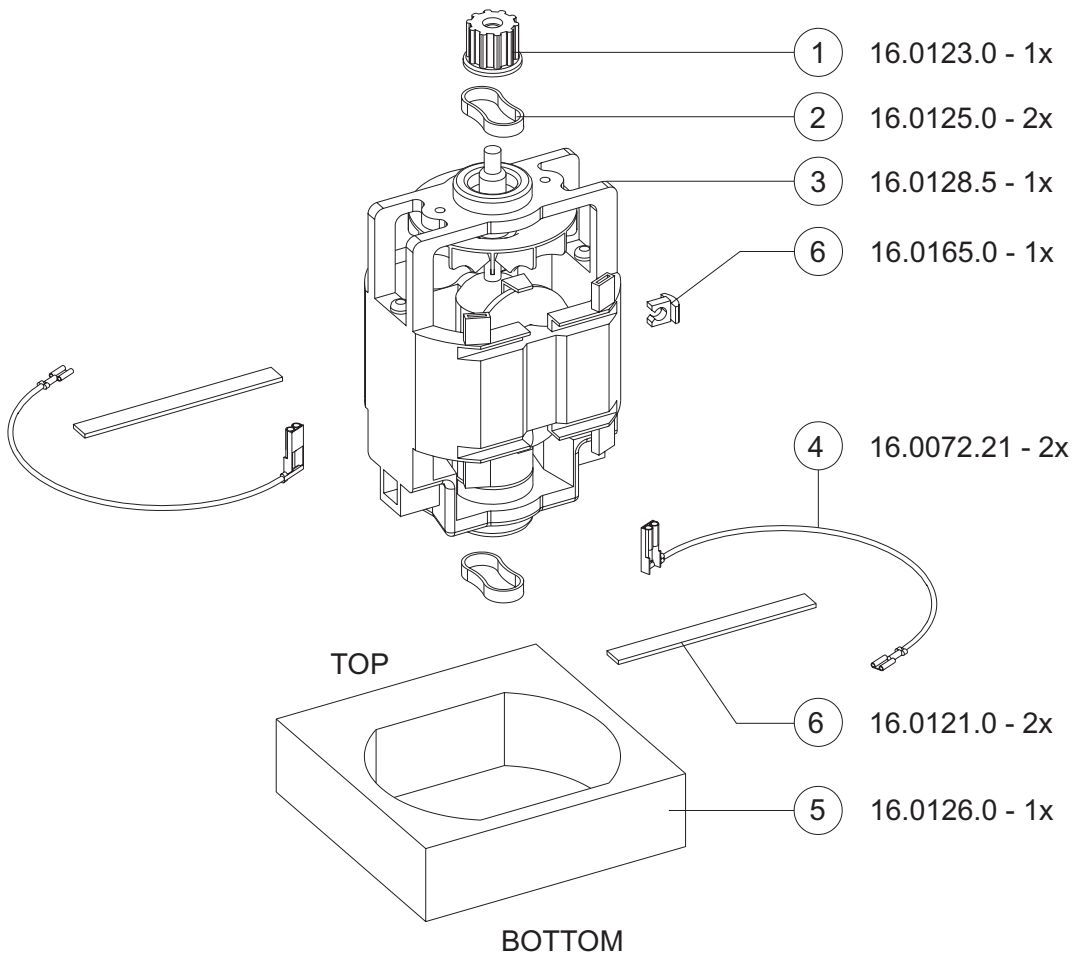
S.04.0086.0  
Motor housing assembly



S.14.0141.0  
Front castor adj. Button with print



Drawing Reference D  
 S.16.0128.5  
 Brush motor assembly UP 115 V  
 UP350/460



- ① 16.0123.0 - 1x
- ② 16.0125.0 - 2x
- ③ 16.0128.5 - 1x
- ④ 16.0072.21 - 2x
- ⑤ 16.0126.0 - 1x
- ⑥ 16.0165.0 - 1x
- ⑥ 16.0121.0 - 2x