



E83009-00  
E83010-00



# FOREMAN<sup>®</sup> DS SERIES

17", 20"  
Floor Machines



**Operator and Parts  
Manual**

## Specifications

Length – 24.25 in.

Width – 20. in.

Height – 48 in.

Weight – 85.5 Lbs.

Speed 175 Std, Two Speed 185/330

Pad Diameter 17 or 20 in. Drivers 16" & 19"

Drive motor – 1.5 HP, 120v, 12A, 60 Hz  
- 1 HP, 120v, 12A, 60 Hz  
Two Speed – 1.5 HP, 12 A, 60 Hz

Cord – 14-3 ST, 50 ft.

Hour meter – 0.1 hr resolution

## Safety

### **Read and understand the manual before operating this machine.**

Do not operate in explosive areas or use near flammable liquids or gases or dust.

Attach only to properly grounded outlet.

Do not expose to rain, store indoors.

Do not operate the machine with a damaged cord or plug.

Do not block or disconnect the safety lever.

Do not leave the machine plugged in while unattended.

Unplug the machine before servicing.

Do not put fingers under the pad or pad holder.

Unplug the machine before installing or removing the pad.

Use only with Suitable Pads or Brushes.

## Operating Instructions

**Check machine for damage to cord or plug.**

**Use suitable pads or brushes.**

### **To install or change the pad:**

1. Unplug the machine.
2. Tip the machine back on the wheels.
3. Install brush or pad driver.
4. Center the pad on the pad driver.

### **To operate the machine:**

1. Plug into a grounded outlet.
2. Release the handle and lower it.
3. The handle should be locked into a comfortable position for the operator.
4. Press the safety lever and squeeze the trigger to start the machine.
5. Do not operate in one place as damage to the floor or finish could result.
6. Do not operate the machine with the handle in the upright position.
7. Remove the pad after every use.
8. Store the machine with the pad or brush removed.
9. Use only new or clean pads and reverse them as needed.

### **Maintenance**

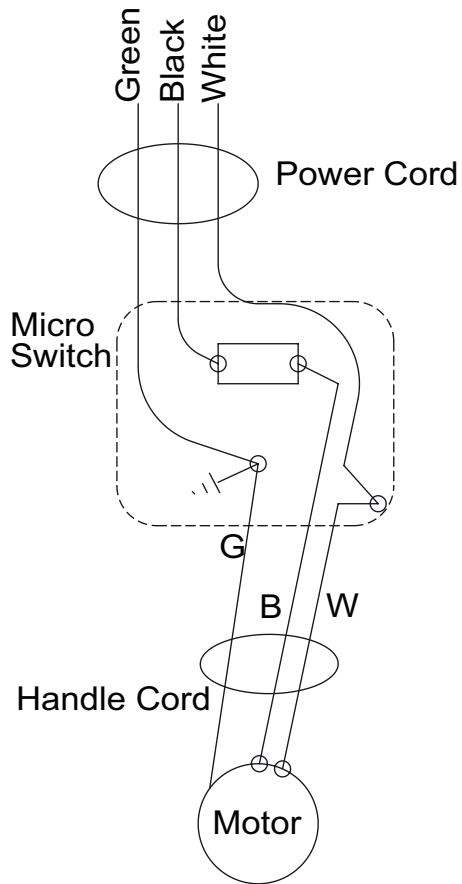
To maintain appearance – wipe the machine with a damp cloth after use.

**Warning** – Unplug the machine before servicing

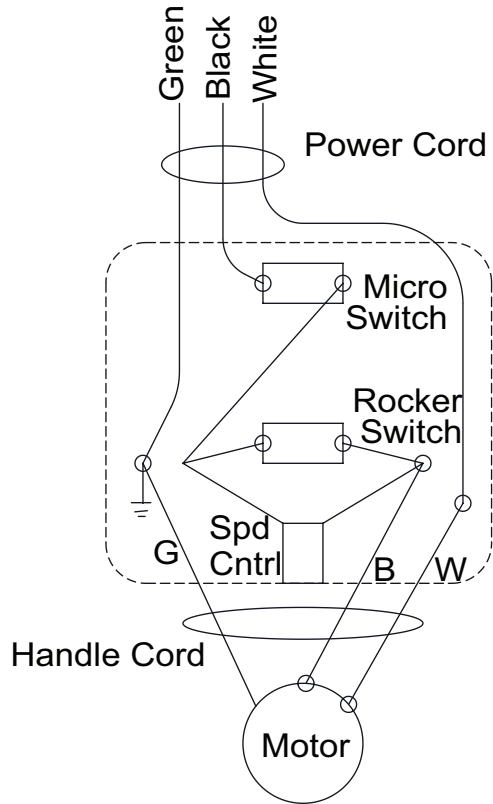
This machine is equipped with an hour meter to signal maintenance intervals of 250 hours. It will begin flashing at 245 hrs and stop at 255 hrs to signal the operator to check the following:

1. Check the motor brushes for wear or excessive arcing on the two speed machine.
2. Check the cord and electrical system.
3. Check the safety lockout on the trigger.
4. Check the wheels.

# ELECTRICAL

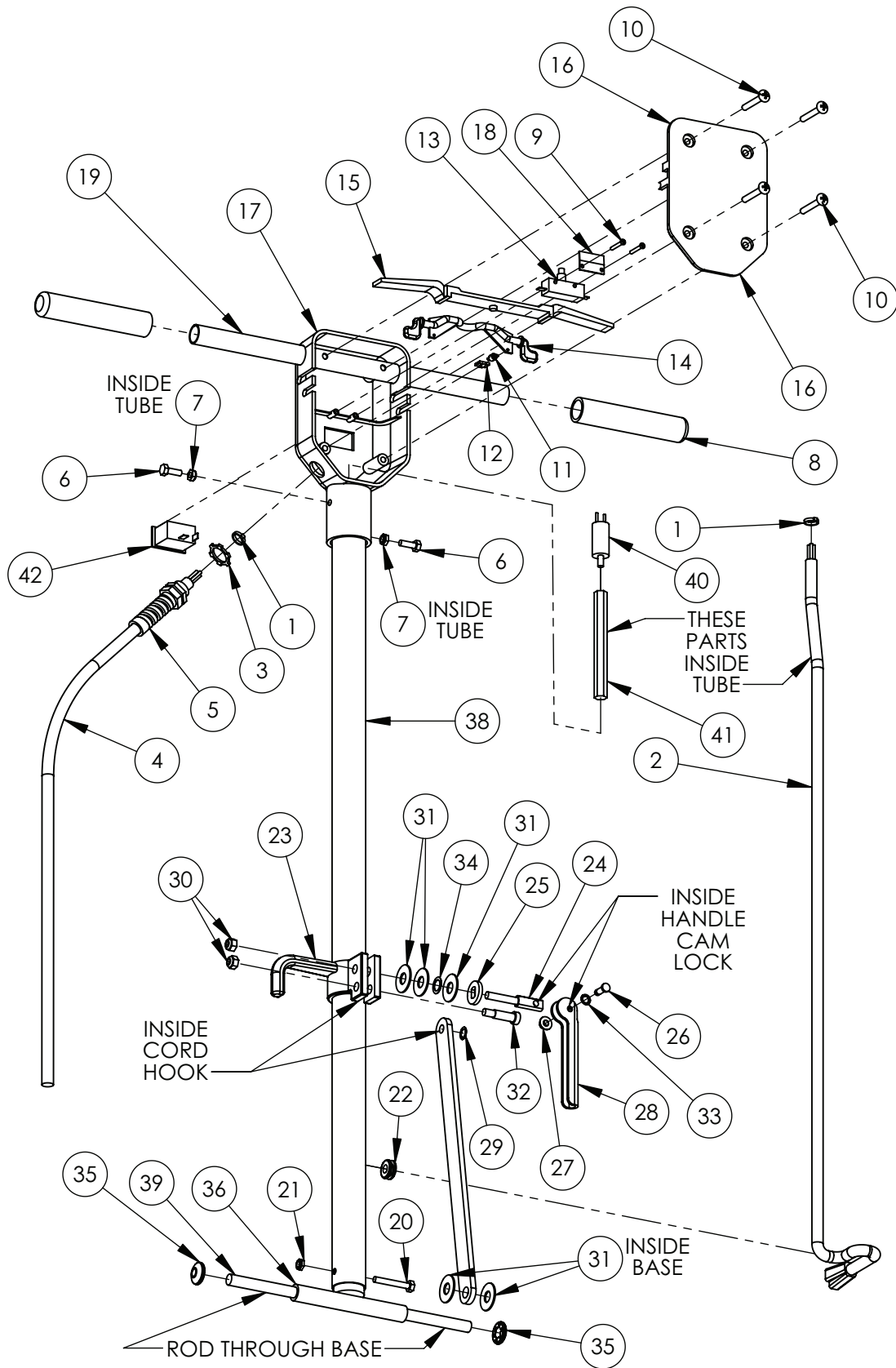


**Standard Machines**



**Two Speed Machines**

# HANDLE PARTS



# HANDLE PARTS

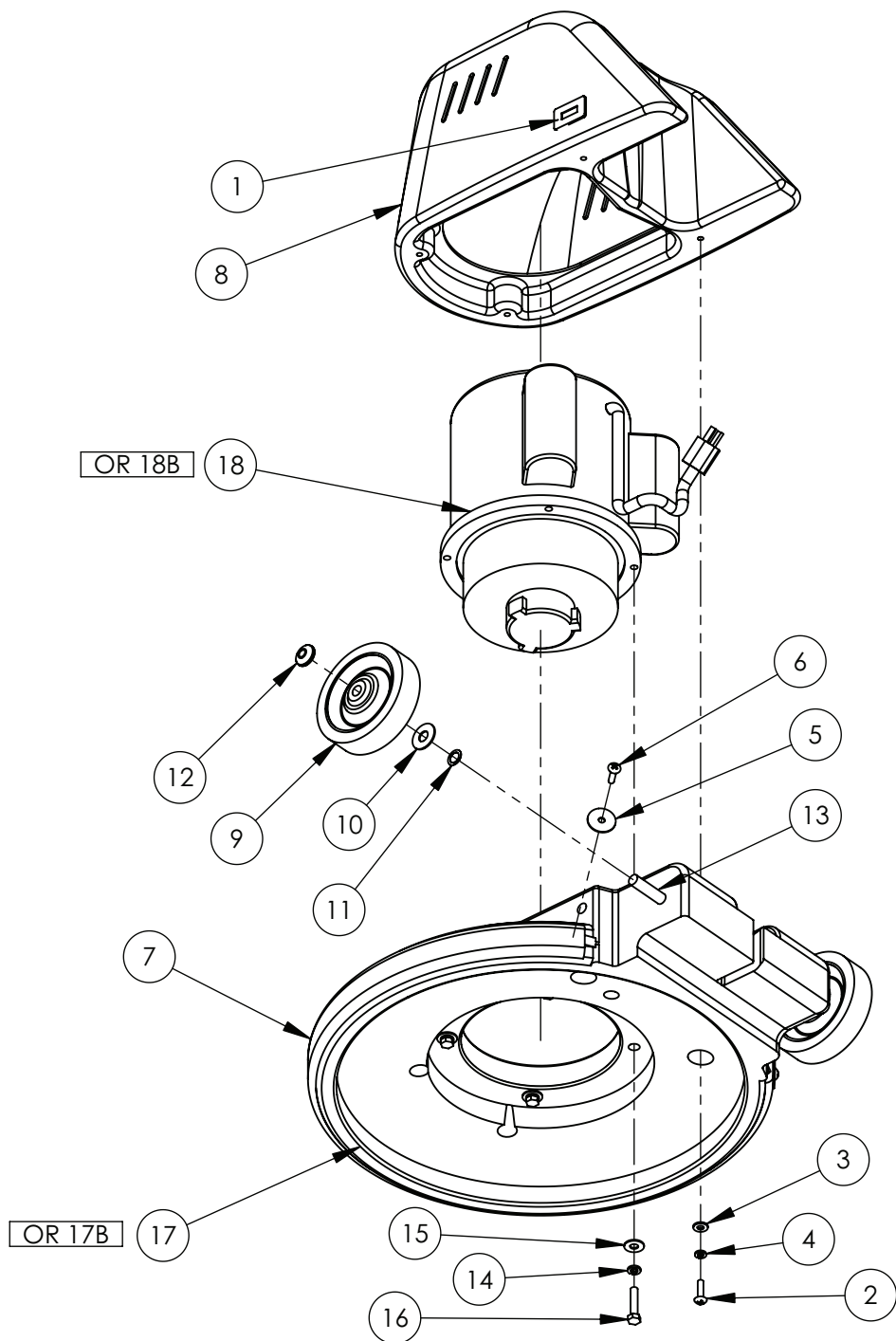
**NOTE:**

**DUAL SPEED FLOOR MACHINE HAS ALL PARTS LISTED.**

**SINGLE SPEED MACHINE DOES NOT HAVE PARTS 40, 41, AND 42.**

<b>ITEM #</b>	<b>PART #</b>	<b>REF #</b>	<b>DESCRIPTION</b>
1	E283523	110146	NYLON CABLE TIE
2	E283132	210105	CORD, HANDLE, 14-3
3	E283789	110299	NUT, ELECTRICAL CONDUIT, 1/2"
4	E283790	210103	CORD, 50 FEET, 14-3 ST
5	E283496	210104	STRAIN RELIEF FOR REPLACEMENT
6	E281064	110178	BOLT, HEX, 1/4-20 x 3/4
7	E283520	110115	NUT, NYLOCK, 1/4-20
8	E283127	310118	GRIP
9	E283427	110116	SCREW, PHILLIPS, No. 6 x 1
10	E283426	110140	SCREW, PHILLIPS, 1/4-20 x 1.75
11	E283130	110149	SPRING
12	E283270	110163	CLIP, SPRING
13	E285032	210102	SWITCH
14	E283129	310119	SAFETY LOCK
15	E282752	310120	TRIGGER, SWITCH
16	E283325	310121	COVER, SWITCH BOX
17	E283125	310122	SWITCH BOX, HANDLE, SINGLE SPEED
18	E281105	310153	PLATE, SWITCH
19	E283451	310124	HANDLE TUBE, 7/8 x 16
20	E281065	110318	BOLT, HEX, 1/4-20 x 1-3/4, GRADE 5
21	E281070	110319	NUT, NYLOCK, 1/4-20
22	E283519	210106	GROMMET, .375 ID
23	E283137	310128	CORD HOOK
24	E283134	110111	BOLT, ADJUSTABLE, CAM, 5/16-18
25	E283135	110112	OVAL WASHER
26	E283266	110114	PIN, .25 x .75
27	E283268	110151	CAP, PUSH, .25
28	E283133	310129	HANDLE, CAM LOCK
29	E281379	110169	WASHER, SPRING, 3/8
30	E281063	110148	NUT, NYLOK, 5/16-18
31	E283145	110103	WASHER, NYLON
32	E281077	110154	BOLT, SHOULDER, 3/8 x 1
33	E283267	110164	WASHER, SPRING, 1/4
34	E283269	110168	WASHER, SPRING, 1/2
35	E283143	110144	CAPS, AXLE, 0.5
36	E282729	310126A	HANDLE ATTACHMENT, WELDED "T"
37	E283136	310130	BRACKET, FLAT, HANDLE
38	E283711	310127A	HANDLE TUBE
39	E283452	310132	AXLE, 1/2 x 12.375
40	E283662	210141	SPEED CONTROL, DUAL SPEED MACHINE
41	E283652	110247	HEAT SINK ROD
42	E283608	210122	SWITCH, ROCKER, 2 SPEED

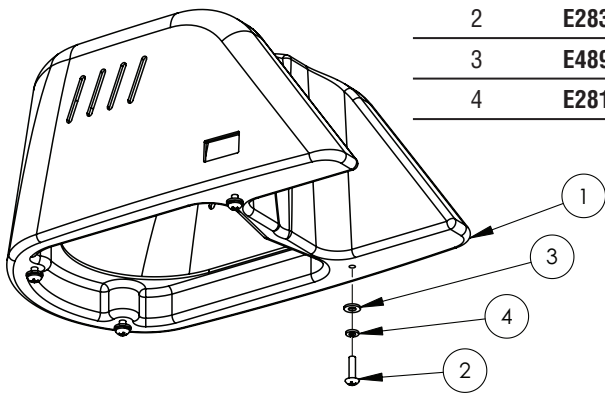
# BASE, MOTOR, & WHEELS



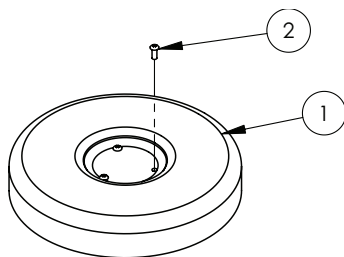
<b>ITEM #</b>	<b>PART #</b>	<b>REF #</b>	<b>DESCRIPTION</b>
1	E283147	210108	HOUR METER
2	E283570	110141	SCREW, PHILLIPS, 1/4-20 x 1
3	E489334	110142	WASHER, FLAT, 1/4
4	E281078	110143	WASHER, LOCK, 1/4
5	E281068	110130	WASHER, FENDER, 1/4
6	E283425	110150	SCREW, PHILLIPS, 1/4-20 x 1
7	E283141	310111	BUMPER
8	E281397	310140	COVER, MOTOR, BLACK, LOW SPEED
9	E283144	310114	WHEEL, 5 INCH
10	E283145	110103	WASHER, NYLON
11	E283269	110168	WASHER, SPRING, 1/2
12	E283143	110144	CAPS, AXLE, 0.5
13	E283379	310115	AXLE, 1/2 x 13.875
14	E281067	110120	WASHER, LOCK, 5/16
15	E281062	110119	WASHER, FLAT, USS, 5/16
16	E283641	110177	BOLT, HEX, 5/16-18 x 1.5
17	E281129	310137	BASE, 20 INCH, LOW SPEED
18	E283191	210111	MOTOR, 1.5 HP, AC
17B	E281127	310138	BASE, 17 INCH, LOW SPEED
18B	E281106	210112	MOTOR, 1.5 HP, DUAL SPEED

## MOTOR COVERS

<b>ITEM #</b>	<b>PART #</b>	<b>REF #</b>	<b>DESCRIPTION</b>
1	E281397	310140	COVER, MOTOR, BLACK, LOW SPEED
	E283642	310139	COVER, MOTOR, RED, LOW SPEED
2	E283570	110141	SCREW, PHILLIPS, 1/4-20 x 1
3	E489334	110142	WASHER, FLAT, 1/4
4	E281078	110143	WASHER, LOCK, 1/4



<b>ITEM #</b>	<b>PART #</b>	<b>REF #</b>	<b>DESCRIPTION</b>
1	E281140	310136	COVER, MOTOR, 9" OD x 1.65 TALL
2	E281526	110226	SCREW, PHILLIPS, 10-32 x .5 TRUSS HEAD



# BETCO US WARRANTY POLICY

## 10 year coverage

Subject to the conditions stated below, Betco warrants parts and labor on rotationally molded polyethylene tanks/housings and injection molded vacuum head assemblies to be free from defects in materials and workmanship for a period of ten years to the original purchaser.

## 3 Year Coverage

Subject to the conditions stated below, Betco warrants parts and labor on all other Betco components to be free from defects in materials and workmanship for a period of three years to the original purchaser.

## 1 Year Coverage

Subject to the conditions stated below, Betco offers a limited warranty on parts and labor on the following equipment: parts and accessories to be free from defects in materials and workmanship for a period of one year to the original purchaser.

- DM Series Vacuums: #85506-00, #85507-00
- Bac Pac Lite Vacuum: #85903-00
- FiberPRO® Floor Dryer: #85507-00
- WORKMAN™ Series Vacuums: #85024-00, #85025-00, #85026-00, #85027-00
- CV100T Vacuum: #85023-00
- All Tools and Accessories
- All Battery Chargers
- All Batteries are pro-rated for 1 year

### **Allowable Travel Time Warranty Reimbursement:**

Eligible equipment: All battery and propane powered equipment products. Warranty period: 90 days from date of sale to the original purchaser. A maximum 60 mile round trip at 44 cents per mile will be allowed for warranty consideration.

### **Propane Machine Warranty:**

Honda engines are warranted by Honda for a period of 2 years against manufacturer defects. Kawasaki engines are warranted by Kawasaki for a period of 2 years against manufacturer defects. All other components (except wear items)\* are warranted by Betco for a period of 3 years.

**\*Wear Items exempt from Warranty consideration include but may not be limited to: power cords, transport wheels, vacuum bags, belts, squeegee blades, pad drivers, clutch plates, handle grips, filters, screens, throttle cables, brushes and carbon brushes.**

Subject to the conditions and exceptions stated in this warranty, Betco warrants the Betco products to be free from defects in material and workmanship, under normal use and service, for the periods listed under the warranty policy to the original purchaser. At any time during the warranty period, Betco will furnish replacement parts for the Betco parts to the original purchaser. Such parts will be furnished and charged including transportation costs, to the original owner through any Betco authorized Service Distributor. If the original part is returned within the warranty policy period from date of delivery for inspection by Betco and is found to be defective the owner will be credited for the cost of replacement parts plus shipping and handling. Replacement parts that have become defective through wear or abuse are not included in this warranty.

This warranty does not apply to damage or defect caused by accident, misuse, negligence, fire, or to any Betco product which has been serviced or repaired by other than an authorized Betco Service Distributor or Betco factory personnel. This warranty is void if products are used for any purpose other than that which was intended. There are no other warranties expressed or implied. In no event shall Betco be liable for incidental or consequential damages or any damage to person or property. (Please note some states do not allow the exclusion or limitations for incidental and consequential damages)



1001 Brown Avenue • Toledo, Ohio 43607-0127

Customer Service: 888-GO-BETCO • Fax: 800-445-5056 • Technical Service: 877-856-5954 • [www.betco.com](http://www.betco.com)

E83009-00 May09E