

### SPECIFICATIONS:

**MODEL NUMBER:** 8005-733-255

**PUMP DESIGN:** Positive Displacement 3 Chamber Diaphragm Pump

**CHECK VALVE:** (1-Way Operation) Prevents Reverse Flow

**CAM:** 3.0 Degree

**MOTOR:** Permanent Magnet, P/N 11-150-00, Thermally Protected

**VOLTAGE:** 115 VAC Nominal

**PRESSURE SWITCH:** Adjustable Shut-Off (Range 40-60 PSI)

Factory Set @ 60 PSI, Turn On 45 PSI ± 5 PSI

**LIQUID TEMPERATURE:** 170 Degrees Fahrenheit (77 Degrees Centigrade) Max.

**PRIME:** Self-Priming Up To 11 Ft. Vertical,  
Max. Inlet Pressure 30 PSI (2.1 Bar)

**PORTS:** 3/8"-18 NPT Female

**MATERIAL OF CONSTRUCTION:**

**PLASTICS-** Polypropylene

**VALVES-** EPDM

**DIAPHRAGM-** Santoprene

**FASTENERS-** Zinc Plated Steel

**NET WEIGHT:** 3.9 Lbs (1.77 Kg)

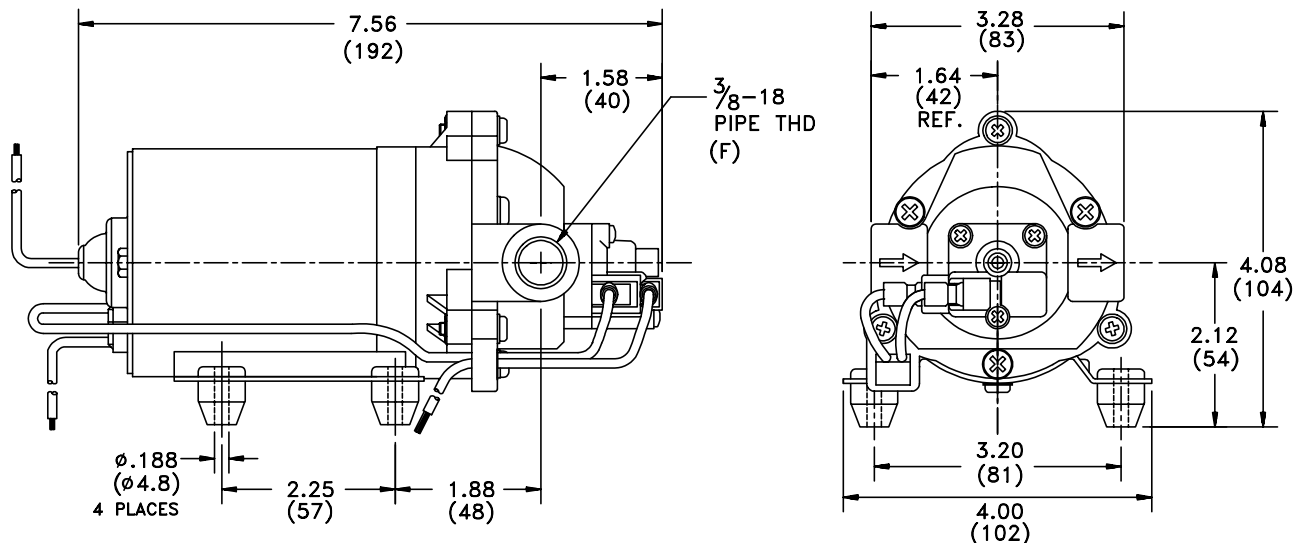
**DUTY CYCLE:** Intermittent (See Temperature Rise Chart)

**APPROVALS:** U.L. & C.S.A. Recognized Component, N.S.F. Listed

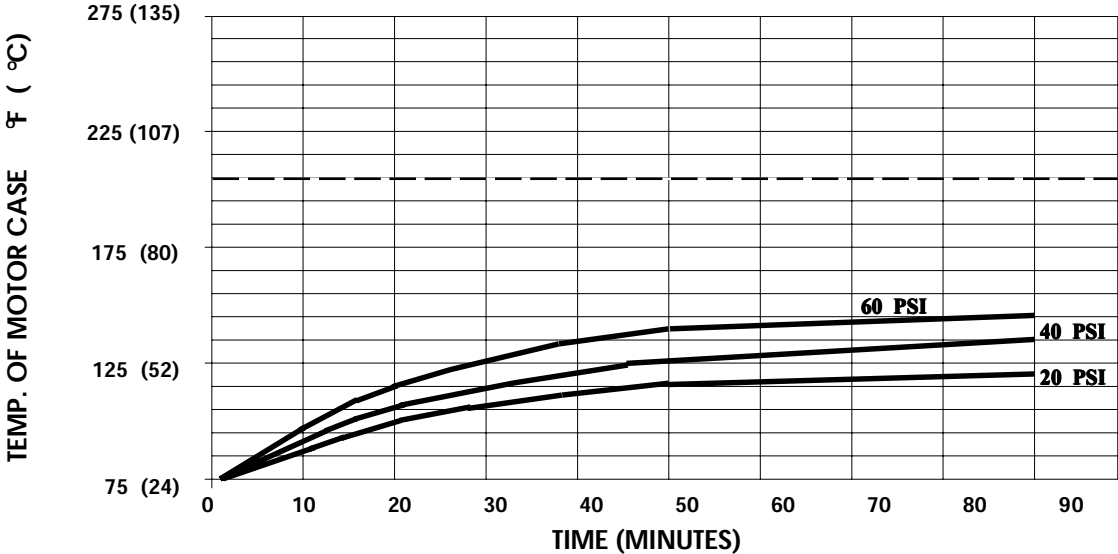
**TYPICAL APPLICATIONS:** Water Delivery

**BYPASS:** 45 PSI

### DIMENSIONS:



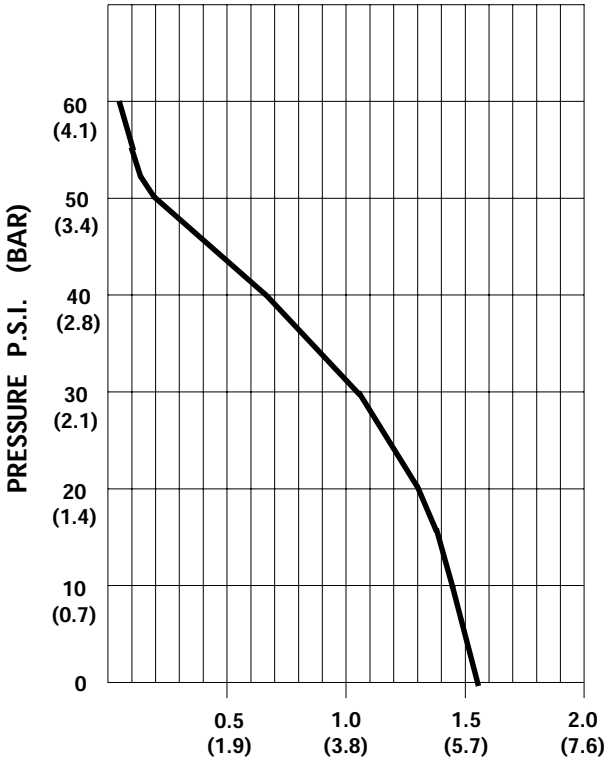
**TEMPERATURE RISE**



THIS GRAPH IS FOR USE AS A DESIGN GUIDE. IT IS BASED ON RUNNING CONTINUOUSLY WITH AN AMBIENT TEMPERATURE OF 70° F IN STILL AIR. THE THERMAL BREAKER WILL OPEN WHEN THE CASE TEMPERATURE REACHES 205° F.

[----- TRIP POINT OF THERMAL PROTECTOR]

**TYPICAL PERFORMANCE**



PRESSURE (PSI)	FLOW (GPM/LIT)	RPM MIN/MAX	CURRENT (AMPS)	VOLTAGE (VOLTS)
OPEN	1.56/5.9	2276/2290	0.31	115 VAC
10	1.46/5.5	2150/2160	0.34	"
20	1.29/4.9	2015/2035	0.40	"
30	1.05/4.0	1890/1945	0.45	"
40	0.67/2.5	1785/1865	0.49	"
50	0.19/0.7	1720/1790	0.52	"
60	0.05/0.1	1715/1770	0.54	"

*-SPECIFICATIONS SUBJECT TO CHANGE WITHOUT NOTICE.  
-ALL DATA BASED ON TESTING WITH WATER.*